



SERIE - SERIES

PN

PNC 09/17 S

PNE 13/15 S

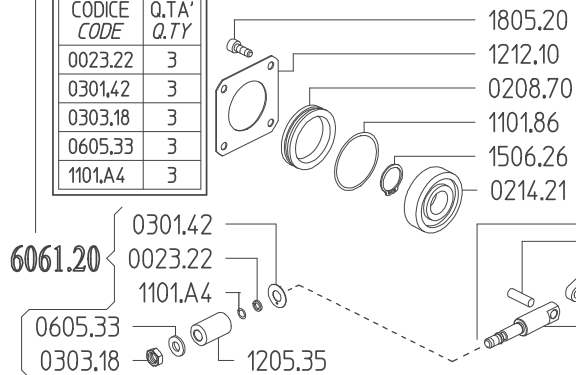
PNL 3.0/25 T

PNL 3.5/22 T

PAG. 2

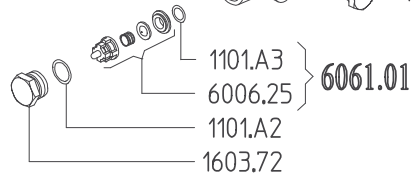
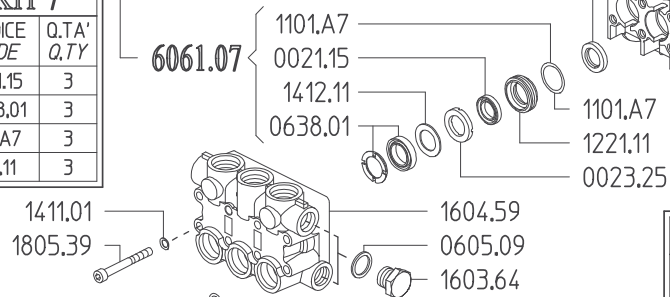
KIT 20

CODICE CODE	Q.TA' Q.TY
0023.22	3
0301.42	3
0303.18	3
0605.33	3
1101.A4	3



KIT 7

CODICE CODE	Q.TA' Q.TY
0021.15	3
0638.01	3
1101.A7	3
1412.11	3

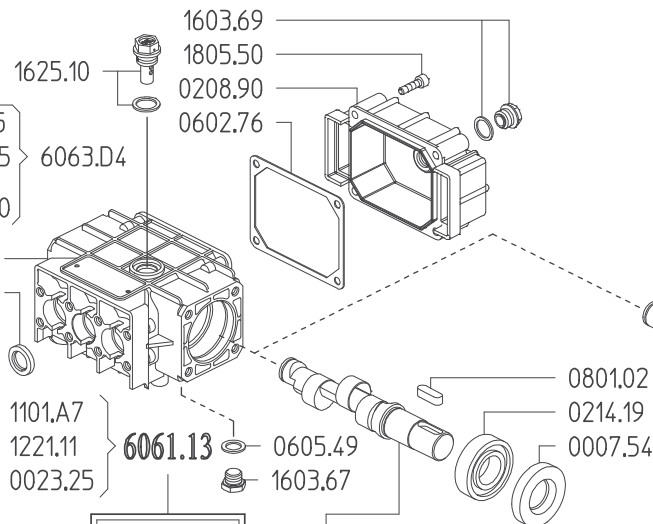


KIT 1

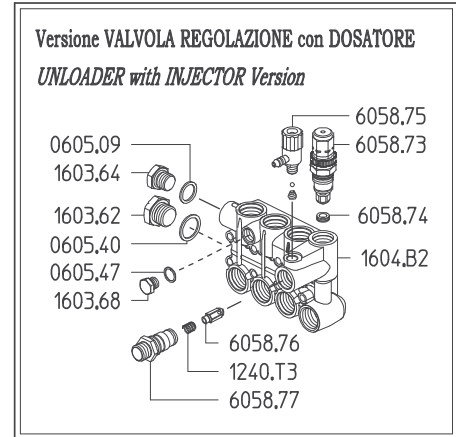
CODICE CODE	Q.TA' Q.TY
1101.A3	6
6006.25	6

KIT 13

CODICE CODE	Q.TA' Q.TY
0023.25	3
1101.A7	3
1221.11	3



0031.36	PNC 09/17 S
0031.76	PNE 13/15 S



0031.49	PNL 3.0/25 T
0031.85	PNL 3.5/22 T

