



SERIE - SERIES

PN

www.malcleanse.co.uk

PNC 04/10 S
PNC 06/10 S
PNC 09/11 S

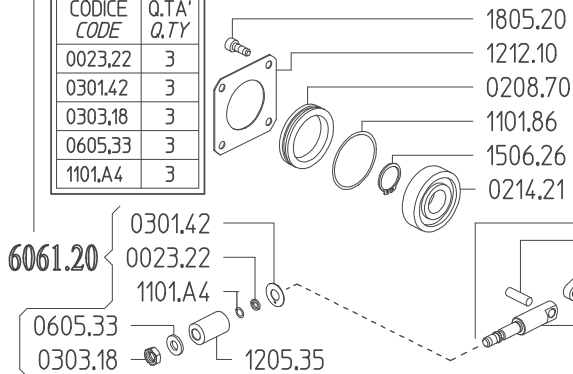
PND 2.0/20 S
PND 2.0/20 Z
PND 3.0/20 S
PND 3.0/20 Z

PNE 08/14 S
PNE 11/14 S
PNE 13/12 S

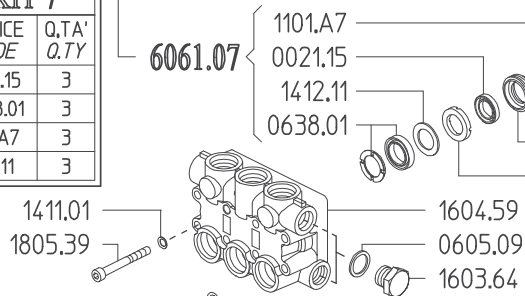
PNL 2.0/20 T
PNL 2.5/20 T
PNL 3.0/20 T

PAG. 1

KIT 20	
CODICE CODE	Q.TA' Q.TY
0023.22	3
0301.42	3
0303.18	3
0605.33	3
1101.A4	3



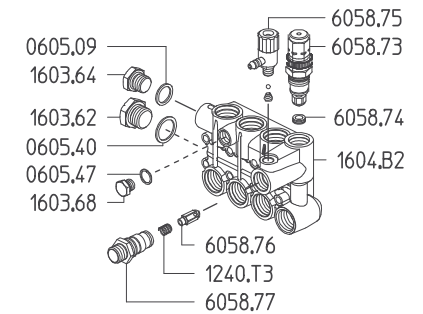
KIT 7	
CODICE CODE	Q.TA' Q.TY
0021.15	3
0638.01	3
1101.A7	3
1412.11	3



KIT 13	
CODICE CODE	Q.TA' Q.TY
0023.25	3
1101.A7	3
1221.11	3

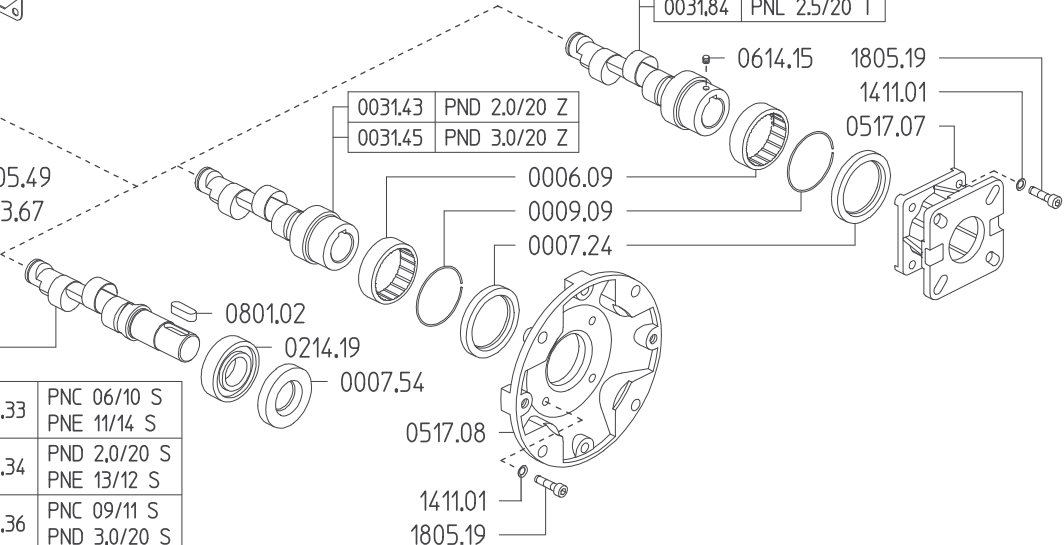
0031.33	PNC 06/10 S
0031.34	PND 2,0/20 S
0031.36	PNC 09/11 S
0031.76	PNC 04/10 S
	PNE 08/14 S

Versione VALVOLA REGOLAZIONE con DOSATORE
UNLOADER with INJECTOR Version



0031.47	PNL 2,0/20 T
0031.49	PNL 3,0/20 T
0031.84	PNL 2,5/20 T

0031.43	PND 2,0/20 Z
0031.45	PND 3,0/20 Z



KIT 1	
CODICE CODE	Q.TA' Q.TY
1101.A3	6
6006.25	6

6061.01