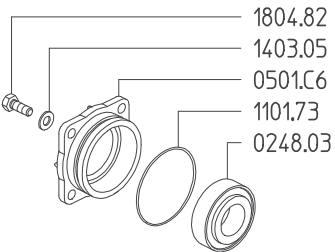


KIT 38

CODICE CODE	Q.TA' Q.TY
0023.23	3
0102.12	3
1101.A8	3
1403.33	3
1403.43	3

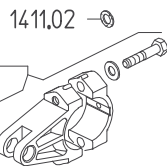
6061.38

- 1403.43
- 0023.23
- 1403.33
- 1101.A8
- 0102.12



6063.E1

- 6000.41
- 1502.14
- 0014.19



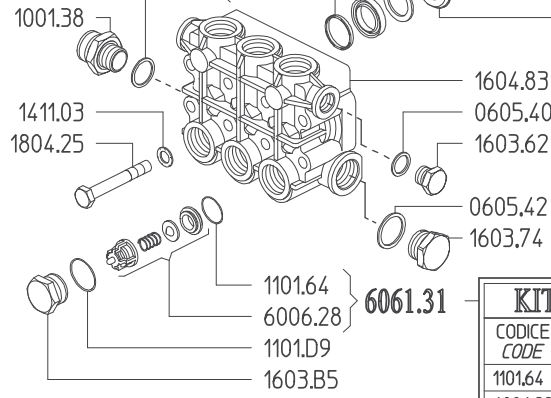
KIT 118

CODICE CODE	Q.TA' Q.TY
0021.44	3
0638.06	3
1101.A9	3
1412.10	3

6061.C2

- 0605.42
- 1001.38

- 1101.A9
- 0021.44
- 1412.10
- 0638.06
- 1101.A9
- 1221.15
- 0023.31



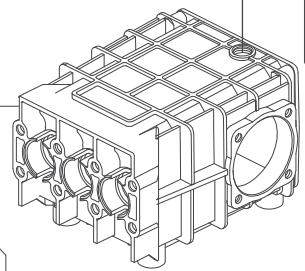
6061.31

KIT 31

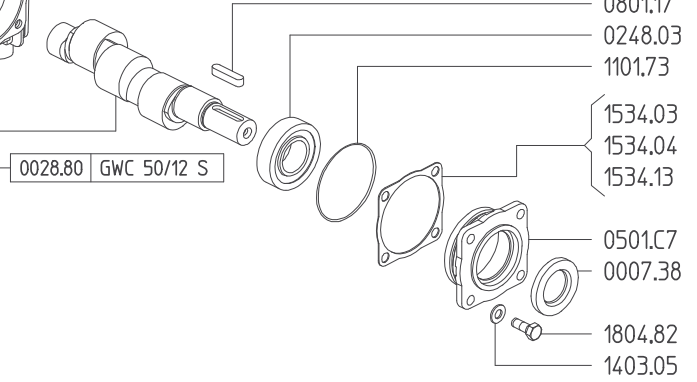
CODICE CODE	Q.TA' Q.TY
1101.64	6
6006.28	6

KIT 19

CODICE CODE	Q.TA' Q.TY
0023.31	3
1101.A9	3
1221.15	3



0028.80 GWC 50/12 S



- 1804.52
- 1603.64
- 0605.43
- 1603.B8
- 0208.71
- 0602.75
- 0801.17
- 0248.03
- 1101.73
- 1534.03
- 1534.04
- 1534.13
- 0501.C7
- 0007.38
- 1804.82
- 1403.05