



SERIE - SERIES

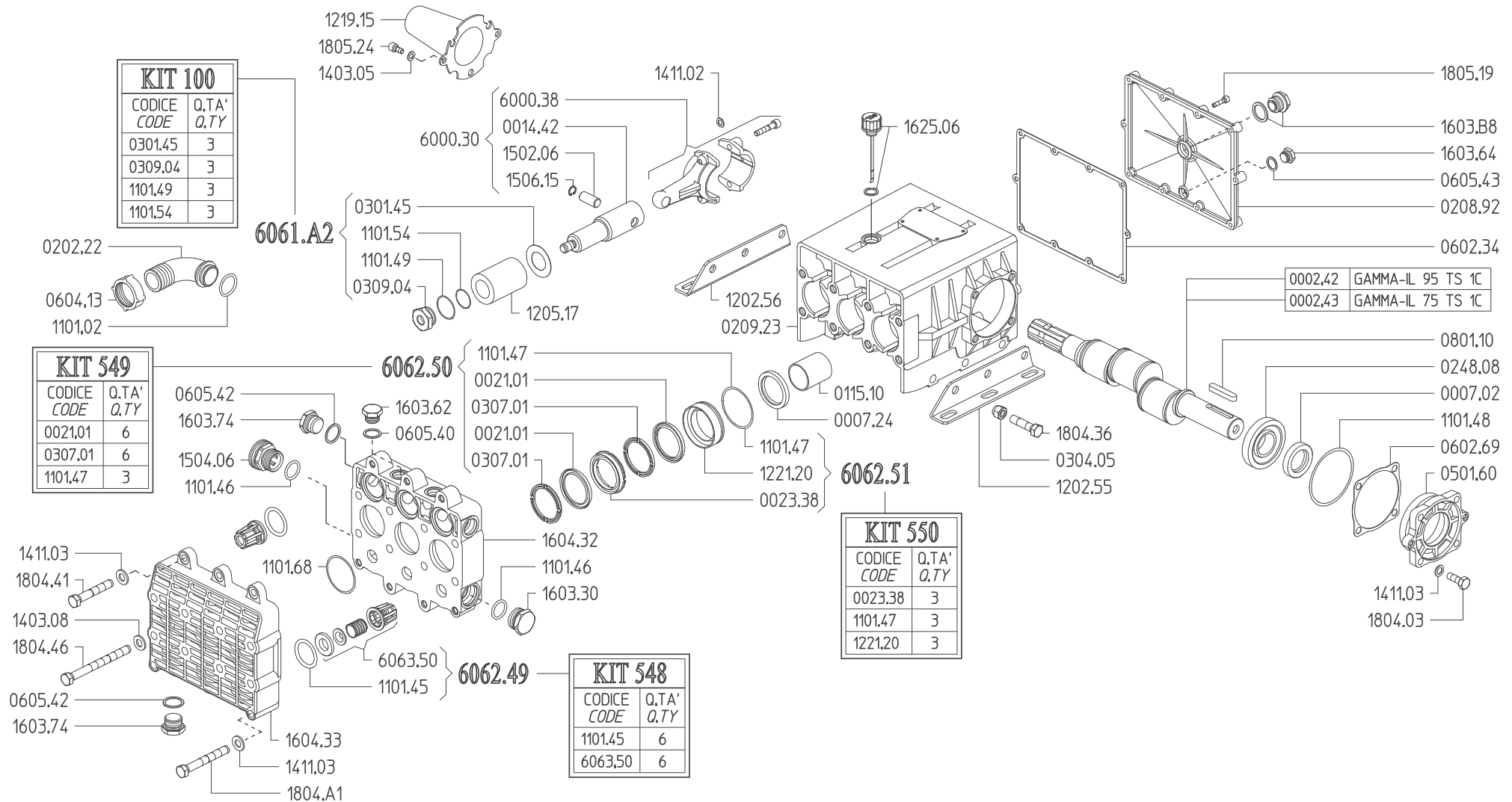
GAMMA-IL

www.malcleanse.co.uk

GAMMA-IL 75 TS 1C

GAMMA-IL 95 TS 1C

PAG.30



KIT 100

CODICE CODE	Q.TA' Q.TY
0301.45	3
0309.04	3
1101.49	3
1101.54	3

- 0202.22
- 0604.13
- 1101.02

6061.A2

- 0301.45
- 1101.54
- 1101.49
- 0309.04
- 1205.17

KIT 549

CODICE CODE	Q.TA' Q.TY
0021.01	6
0307.01	6
1101.47	3

- 0605.42
- 1603.74
- 1504.06
- 1101.46

6062.50

- 1101.47
- 0021.01
- 0307.01
- 0021.01
- 0307.01
- 1101.47
- 1221.20
- 0023.38

6062.51

KIT 550

CODICE CODE	Q.TA' Q.TY
0023.38	3
1101.47	3
1221.20	3

6062.49

KIT 548

CODICE CODE	Q.TA' Q.TY
1101.45	6
6063.50	6

- 1411.03
- 1804.41
- 1403.08
- 1804.46
- 0605.42
- 1603.74
- 1101.68
- 1604.33
- 1411.03
- 1804.A1

6063.50

1101.45

- 1604.32
- 1101.46
- 1603.30

- 1219.15
- 1805.24
- 1403.05

6000.30

- 6000.38
- 0014.42
- 1502.06
- 1506.15

1411.02

1625.06

- 1202.56
- 0209.23

0002.42	GAMMA-IL 95 TS 1C
0002.43	GAMMA-IL 75 TS 1C

- 1805.19
- 1603.B8
- 1603.64
- 0605.43
- 0208.92
- 0602.34

- 0801.10
- 0248.08
- 0007.02
- 1101.48
- 0602.69
- 0501.60

- 1411.03
- 1804.03