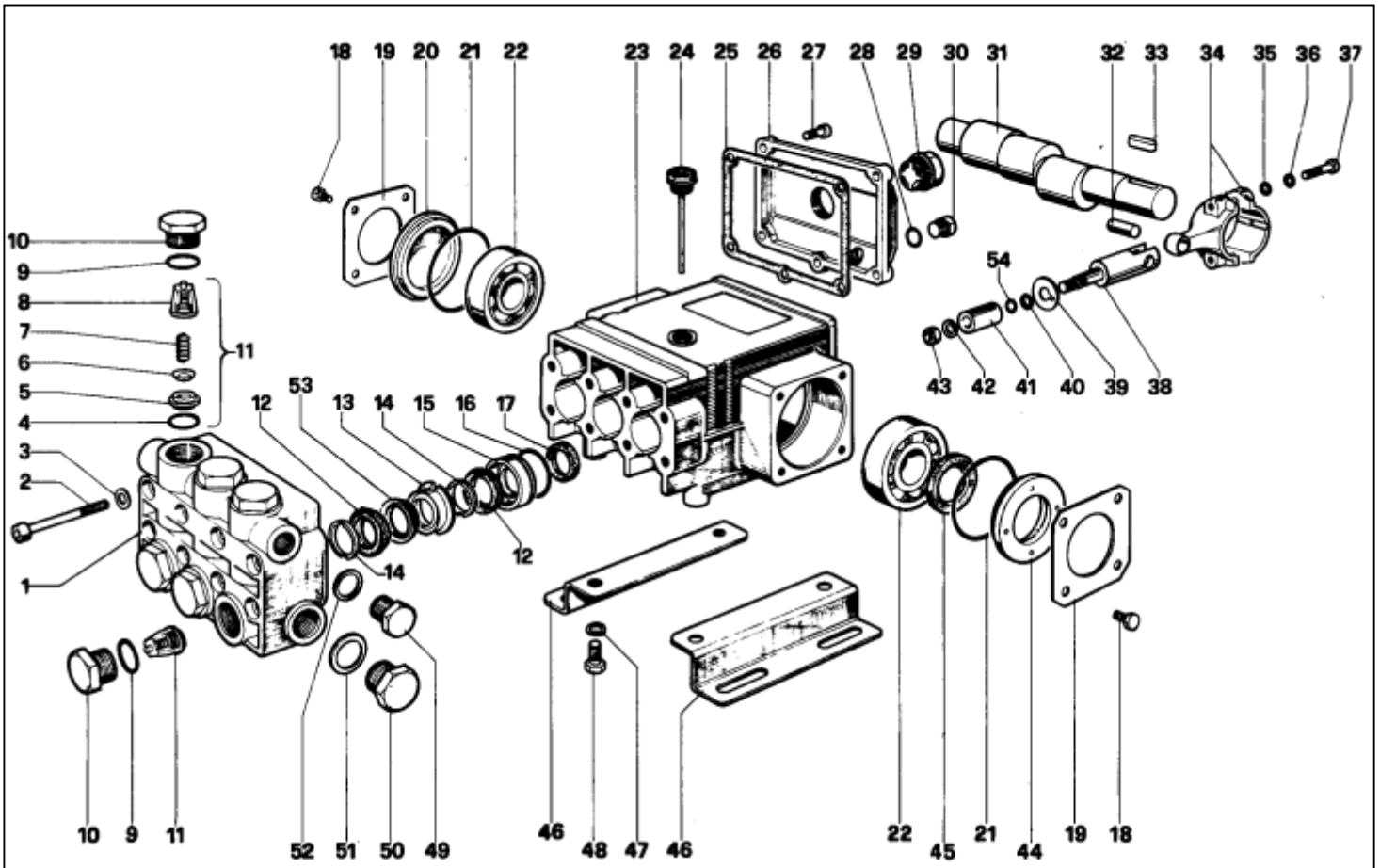


WW141-WW161-WW935-WW944



POS	REF	DESCRIPTION	KIT NO	QTY
1	50.1205.41	MANIFOLD – OT58 – BRASS		1
2	99.3175.00	SCREW M8 X 60 UNI 5931		8
3	96.7014.00	WASHER DIA 8,4 X 13 X 0,8		8
4	90.3841.00	O-RING DIA 17,13 X 2,62	KIT 1	6
5	36.2003.66	VALVE SEAT	KIT 1	6
6	36.2001.76	VALVE	KIT 1	6
7	94.7376.00	SPRING DIA 9,4 X 14,8	KIT 1	6
8	36.2002.51	VALVE GUIDE	KIT 1	6
9	90.3847.00	O-RING DIA 20,24 X 2,62	KIT 4	6
10	98.2220.00	CAP M24 X 2 X 16	KIT 4	6
11	36.7032.01	VALVE UNIT	KIT 1	6
12	90.2620.00	PACKING DIA 15 H.P. SEAL	KIT 88-92	3
13	52.2166.70	INTERMEDIATE RING DIA 15	KIT 89-92	3
14	51.1000.51	HEAD RING DIA 15	KIT 90-92	3
15	52.0805.70	PACKING RETAINER DIA 15	KIT 91-92	3
16	90.3612.00	O-RING DIA 31,47 X 1,78	KIT 91-92	3
17	90.1614.00	OIL SEAL DIA 20 X 30 X 5	KIT 23	3
18	99.1807.00	SCREW M6 X 10 UNI 5739		8
19	50.1500.74	CRANKCASE COVER		2
20	50.2116.51	SPACER		1
21	90.4097.00	O-RING DIA 55,56 X 3,53		2
22	91.8329.00	BALL BEARING 6305		2
23	50.0104.22	CRANKCASE		1
24	98.2103.00	OIL DIPSTICK G3/8		1
25	90.3920.00	O-RING DIA 101,27 X 2,62		1
26	50.1600.22	CRANKCASE COVER		1
27	99.1837.00	SCREW M6 X 14 UNI 5931		5
28	90.3585.00	O-RING DIA 10,82 X 1,78		1

POS	REF	DESCRIPTION	KIT NO	QTY
29	97.5968.00	OIL SIGHT GLASS G3/4		1
30	98.2041.00	CAP G ¼ X 9		1
31	50.0205.35	CRANKSHAFT ECC WW161-944		1
31	50.0201.35	CRANKSHAFT ECC WW161-944		1
32	97.7330.00	PISTON PIN DIA 9 X 19,5		3
33	91.4878.00	KEY		1
34	50.0300.01	CONNECTING ROD		3
36	96.6939.00	WASHER DIA 6,4 X 10 X 0,7		6
37	99.1927.00	SCREW M6 X 35 UNI 5931		6
38	52.0500.56	PISTON GUIDE		3
39	96.7070.00	WASHER DIA 9		3
40	90.5022.00	ANTI-EXTRUSION RING		3
41	52.0400.09	PISTON DIA 15		3
42	96.7008.00	WASHER DIA 8		3
43	92.2216.00	NUT M8		3
44	50.2115.51	SPACER		1
45	90.1634.00	OIL SEAL DIA 25 X 42 X 7		1
46	50.2000.74	FOOT		2
47	96.7016.00	WASHER DIA 8,4 UNI 1751		4
48	99.3037.00	SCREW M8 X 16 UNI 5739		4
49	98.2100.00	CAP G 3/8 X 13		1
50	98.2176.00	CAP G ½ X 10		1
51	96.7514.00	WASHER DIA 21,5 X 27 X 1,5		1
52	96.7380.00	WASHER DIA 17,5 X 23 X 1,5		1
53	90.2622.00	RESTOP	KIT 88-92	3
54	90.3572.00	O-RING DIA 5,28 X 1,78 -SPEC -		3
55	90.2617.00	PACKING DIA 15 L.P. SEAL	KIT 88-92	3

SERVICE REPAIR KITS AVAILABLE:

KIT NO	KIT 1	KIT 4	KIT 23	KIT 88	KIT 89	KIT 90	KIT 91	KIT 92
POSITIONS INCLUDED	4-5-6-7 8-(11)	9-10	17	12-53 55	13	14	15-16	12-13-14 15-16-53 55
N. PCS	6	6	3	3	3	6	3	1