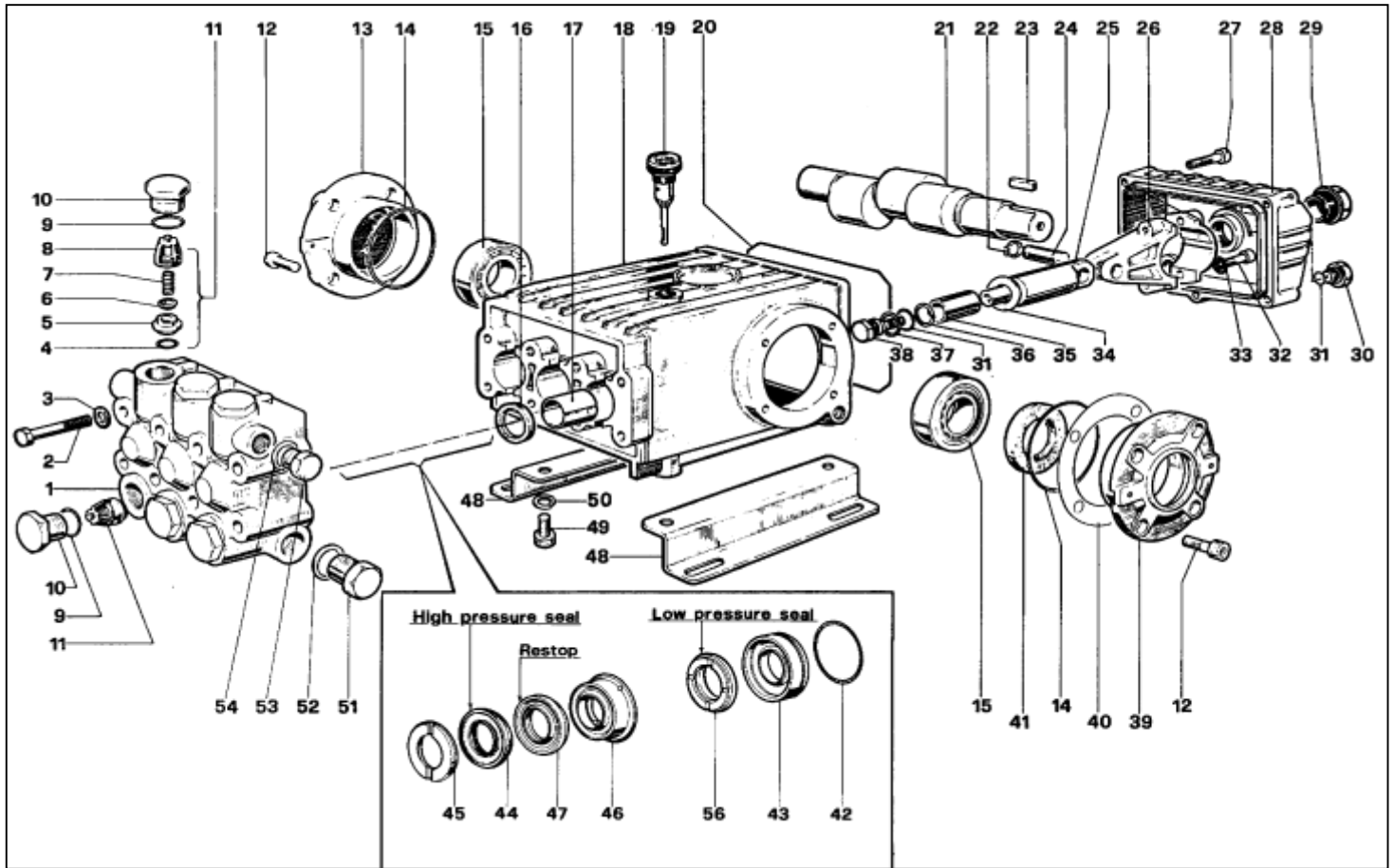


# WS202



| POS | REF        | DESCRIPTION                | KIT NO | QTY |
|-----|------------|----------------------------|--------|-----|
| 1   | 47.1202.41 | PUMP HEAD                  |        | 1   |
| 2   | 99.3206.00 | SCREW M8 X 70 UNI 5737     |        | 8   |
| 3   | 96.7020.00 | WASHER DIA 8 UNI 1736      |        | 8   |
| 4   | 90.3841.00 | O-RING DIA 17,13 X 2,62    | KIT 1  | 6   |
| 5   | 36.2003.66 | VALVE SEAT                 | KIT 1  | 6   |
| 6   | 36.2001.76 | VALVE                      | KIT 1  | 6   |
| 7   | 94.7376.00 | SPRING DIA 9,4 X 14,8      | KIT 1  | 6   |
| 8   | 36.2002.51 | VALVE GUIDE                | KIT 1  | 6   |
| 9   | 90.3847.00 | O-RING DIA 20,24 X 2,62    | KIT 5  | 6   |
| 10  | 98.2222.00 | CAP M 24 X 2 X 16 SPEC NK  | KIT 5  | 6   |
| 11  | 36.7032.01 | VALVE UNIT                 | KIT 1  | 6   |
| 12  | 99.3039.00 | SCREW M8 X 16 UNI 5931     |        | 8   |
| 13  | 47.1501.22 | CRANKCASE COVER            |        | 1   |
| 14  | 90.3913.00 | O-RING DIA 67,95 X 2,62    |        | 2   |
| 15  | 91.8377.00 | ROLLER BEARING 32206       |        | 2   |
| 16  | 90.1625.00 | OIL SEAL DIA 22 X 32 X 5,5 | KIT 2  | 3   |
| 17  | 90.9126.00 | BUSHING DIA 22 X 25 X 30   |        | 3   |
| 18  | 47.0102.22 | CRANKCASE                  |        | 1   |
| 19  | 98.2106.00 | OIL DIPSTICK G 3/8         |        | 1   |
| 20  | 90.3922.00 | O-RING DIA 133,02 X 2,62   |        | 1   |
| 21  | 47.0204.35 | CRANKSHAFT WS202           |        | 1   |
| 22  | 90.0557.00 | CIRCLIP                    |        | 6   |
| 23  | 91.4878.00 | KEY                        |        | 1   |
| 24  | 97.7380.00 | PISTON PIN DIA 13 X 35     |        | 3   |
| 25  | 47.0503.56 | PISTON GUIDE               |        | 3   |
| 26  | 47.0300.01 | CONNECTING ROD             |        | 3   |
| 27  | 99.1912.00 | SCREW M6 X 30 UNI 5931     |        | 5   |
| 28  | 47.1601.22 | CRANKCASE COVER            |        | 1   |

| POS | REF        | DESCRIPTION                         | KIT NO       | QTY |
|-----|------------|-------------------------------------|--------------|-----|
| 29  | 97.5968.00 | OIL LEVEL INDICATOR G 3/4           |              | 1   |
| 30  | 98.2041.00 | CAP G 1/2 X 9                       |              | 1   |
| 31  | 90.3585.00 | O-RING DIA 10,82 X 1,78             | KIT 6        | 4   |
| 32  | 99.3099.00 | SCREW M8 X 35 UNI 5931              |              | 6   |
| 33  | 96.7014.00 | WASHER DIA 8,4 X 13 X 0,8           |              | 6   |
| 34  | 96.7286.00 | WASHER DIA 14 X 28 X 0,5            | KIT 6        | 3   |
| 35  | 47.0404.09 | PISTON DIA                          |              | 3   |
| 36  | 90.5067.00 | ANTI-EXTRUSION RING                 | KIT 6        | 3   |
| 37  | 96.7280.00 | WASHER DIA 14 X 18,5 X 0,5          | KIT 6        | 3   |
| 38  | 47.2195.66 | PISTON SCREW                        | KIT 6        | 3   |
| 39  | 47.1500.22 | CRANKCASE COVER                     |              | 1   |
| 40  | 97.5678.00 | SHIM                                |              | 2   |
| 41  | 90.1648.00 | OIL SEAL DIA 30 X 55 X 7            | KIT 3        | 1   |
| 42  | 90.3616.00 | O-RING DIA 34,65 X 1,78             | KIT 10-28    | 3   |
| 43  | 47.0805.70 | PACKING RETAINER DIA 20             | KIT 10-28    | 3   |
| 44  | 90.2705.00 | PACKING HP 20                       | KIT 28-69    | 3   |
| 45  | 47.1000.51 | HEAD RING DIA 20                    | KIT 7-28     | 3   |
| 46  | 47.2169.70 | INTERMEDIATE RING DIA 20            | KIT 28-71    | 3   |
| 47  | 90.2704.00 | RESTOP DIA 20                       | KIT 28-69-71 | 3   |
| 48  | 47.2000.74 | PUMP FEET                           |              | 2   |
| 49  | 99.3644.00 | SCREW M10 X 18 UNI 5931             |              | 4   |
| 50  | 96.7106.00 | WASHER DIA 10 DIN 7980              |              | 4   |
| 51  | 98.2176.00 | CAP G 1/2 X 10                      |              | 1   |
| 52  | 96.7514.00 | WASHER DIA 21,5 X 27 X 1,5          |              | 1   |
| 53  | 98.2100.00 | CAP G 3/8 X 13                      |              | 1   |
| 54  | 96.7380.00 | WASHER DIA 17,5 X 23 X 1,5          |              | 1   |
| 56  | 90.2710.00 | PACKING DIA 20<br>LOW PRESSURE SEAL | KIT 28-69    | 3   |

## SERVICE REPAIR KITS AVAILABLE:

| KIT NO             | KIT 1          | KIT 2 | KIT 3 | KIT 5 | KIT 6          | KIT 7 | KIT 69   | KIT 71 | KIT 10 | KIT 28               |
|--------------------|----------------|-------|-------|-------|----------------|-------|----------|--------|--------|----------------------|
| POSITIONS INCLUDED | 4-5-6-7-8-(11) | 16    | 41    | 9-10  | 31-34-36-37-38 | 45    | 44-47-56 | 46     | 42-43  | 42-43-44-45-46-47-56 |
| N. PCS             | 6              | 3     | 2     | 6     | 3              | 6     | 3        | 3      | 3      | 1                    |