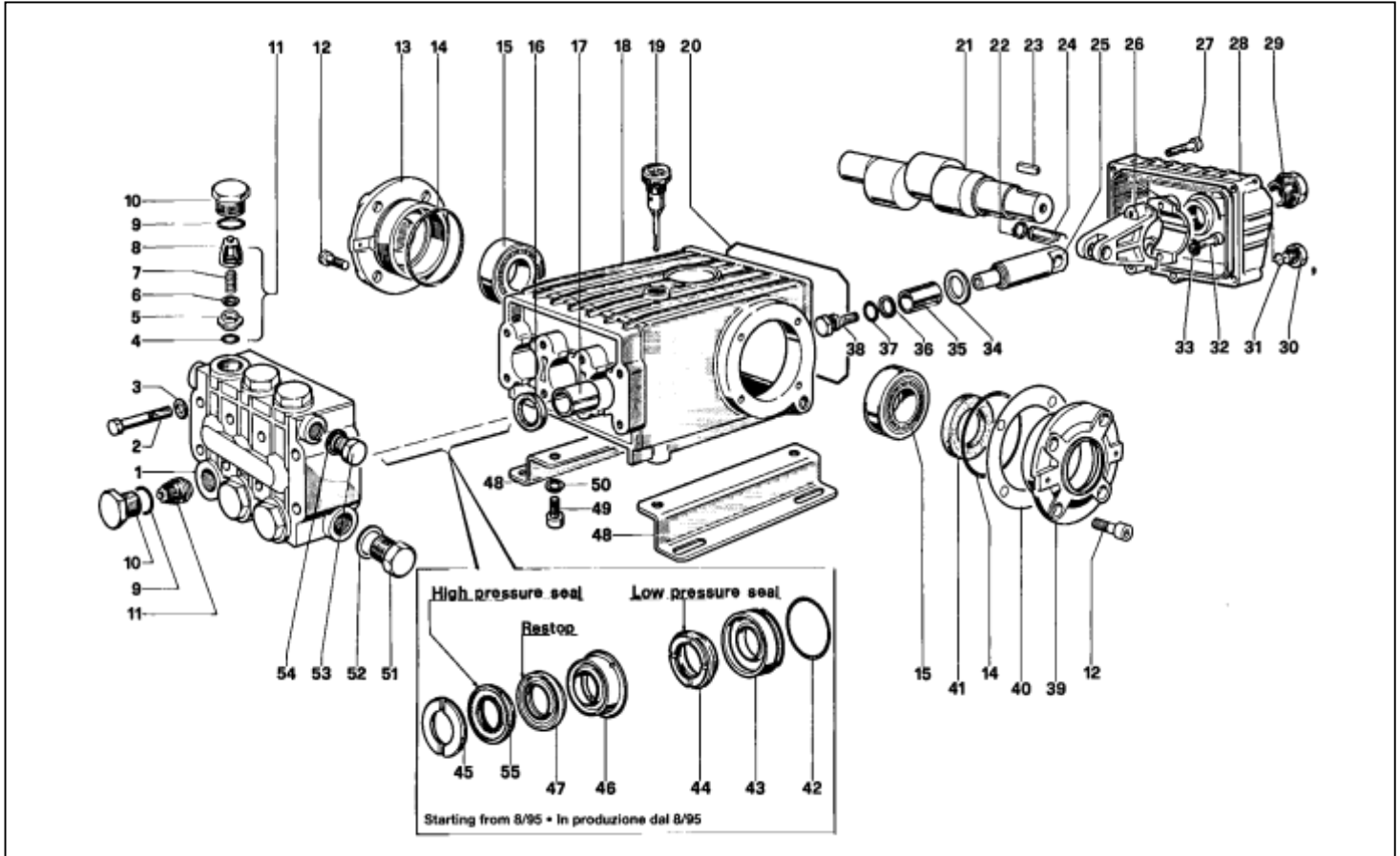


# W928



POS	REF	DESCRIPTION	KIT NO	QTY
1	47.1214.41	MANIFOLD - NICKEL		1
2	99.3206.00	SCREW M8X70 UNI5737		8
3	96.7020.00	WASHER DIA 8 UNI1736		8
4	90.3841.00	O-RING DIA 17,13 X 2,62	KIT 1	6
5	36.2003.66	VALVE SEAT	KIT 1	6
6	36.2001.76	VALVE	KIT 1	6
7	94.7376.00	SPRING DIA 9,4x14,8	KIT 1	6
8	36.2002.51	VALVE GUIDE	KIT 1	6
9	90.3847.00	O-RING DIA 20,24x2,62	KIT 106	6
10	98.2224.00	CAP M24x1.,5x17,5 SPEC H.P	KIT 106	6
11	36.7032.01	VALVE UNIT	KIT 1	6
12	99.3039.00	SCREW M18 X 16 UNI 5931		8
13	47.1501.22	CRANKCASE COVER		1
14	90.3913.00	O-RING DIA 67.95 X 2		2
15	91.8377.00	ROLLER BEARING		2
16	90.1625.00	OIL SEAL DIA 22.32 X 5.5	KIT 2	3
17	90.9126.00	BUSH DIA 22 X 25 X 30		3
18	47.0102.22	CRANKCASE		1
19	98.2106.00	OIL DIPSTICK G 3/8		1
20	90.3922.00	O-RING 133.02 X 2.62		1
21	47.0217.35	CRANKSHAFT		1
22	90.0557.00	CIRCLIP		6
23	91.4890.00	KEY		1
24	97.7380.00	PISTON PIN DIA 13 X 35		3
25	47.0506.54	PISTON GUIDE		3
26	47.0300.01	CON-ROD		3
27	99.1912.00	SCREW M6 X 30 UNI 5931		5
28	47.1601.22	CRANKCASE COVER		1

POS	REF	DESCRIPTION	KIT NO	QTY
29	97.5968.00	OIL LEVEL INDICATOR G ¾		1
30	98.2041.00	CAP G ¾ X 9		1
31	90.3585.00	O-RING DIA 10.82 X 1.78		1
32	99.3099.00	SCREW M8 X 35 UNI 5931		6
33	96.7014.00	WASHER DIA 8.4 X 13 X 0.8		6
34	47.2117.47	PROTECTION SEAL		3
35	47.0408.56	PISTON DIA 16		3
36	90.5033.00	ANTI-EXTRUSION RING	KIT 107	3
37	90.3577.00	O-RING DIA 7.66 X 1.78 -SPEC-	KIT 107	3
38	47.2196.66	PISTON BOLT	KIT 107	3
39	47.1500.22	CRANKCASE COVER		1
40	97.5678.00	SHIM		2
41	90.1648.00	OIL SEAL DIA 30 X 55 X 7	KIT 3	1
42	90.3616.00	O-RING DIA 34.65 X 1.78	KIT 111-112	3
43	47.0808.70	PACKING RETAINER DIA 16	KIT 111-112	3
44	90.2644.00	PACKING DIA 16 L.P. SEAL	KIT 109-112	3
45	47.1003.51	HEAD RING DIA 16	KIT 108-112	3
46	47.2172.70	INTERMEDIATE RING DIA 16	KIT 110-112	3
47	90.3643.00	RESTOP DIA 16	KIT 109-112	3
48	47.2000.74	FOOT		2
49	99.3644.00	SCREW M10 X 18 UNI 5931		4
50	96.7106.00	WASHER DIA 10 DIN 7980		4
51	98.2176.00	CAP G ½ X 10		1
52	96.7514.00	WASHER DIA 21.5 X 27 X 1.5		1
53	98.2100.00	CAP G 3/8 X 13		1
54	96.7380.00	WASHER DIA 17.5 X 23 X 1.5		1
55	90.2642.00	PACKING DIA 16 H.P. SEAL	KIT 109-112	3

## SERVICE REPAIR KITS AVAILABLE:

	KIT 1	KIT 2	KIT 3	KIT 106	KIT 107	KIT 108	KIT 109	KIT 110	KIT 111	KIT 112
POSITIONS INCLUDED	4-5-6-7-8-(11)	16	41	9-10	36-37-38	45	44-47-55	46	42-43	42-43-44-45-46-47-55
N. PCS	6	3	2	6	3	6	3	3	3	1