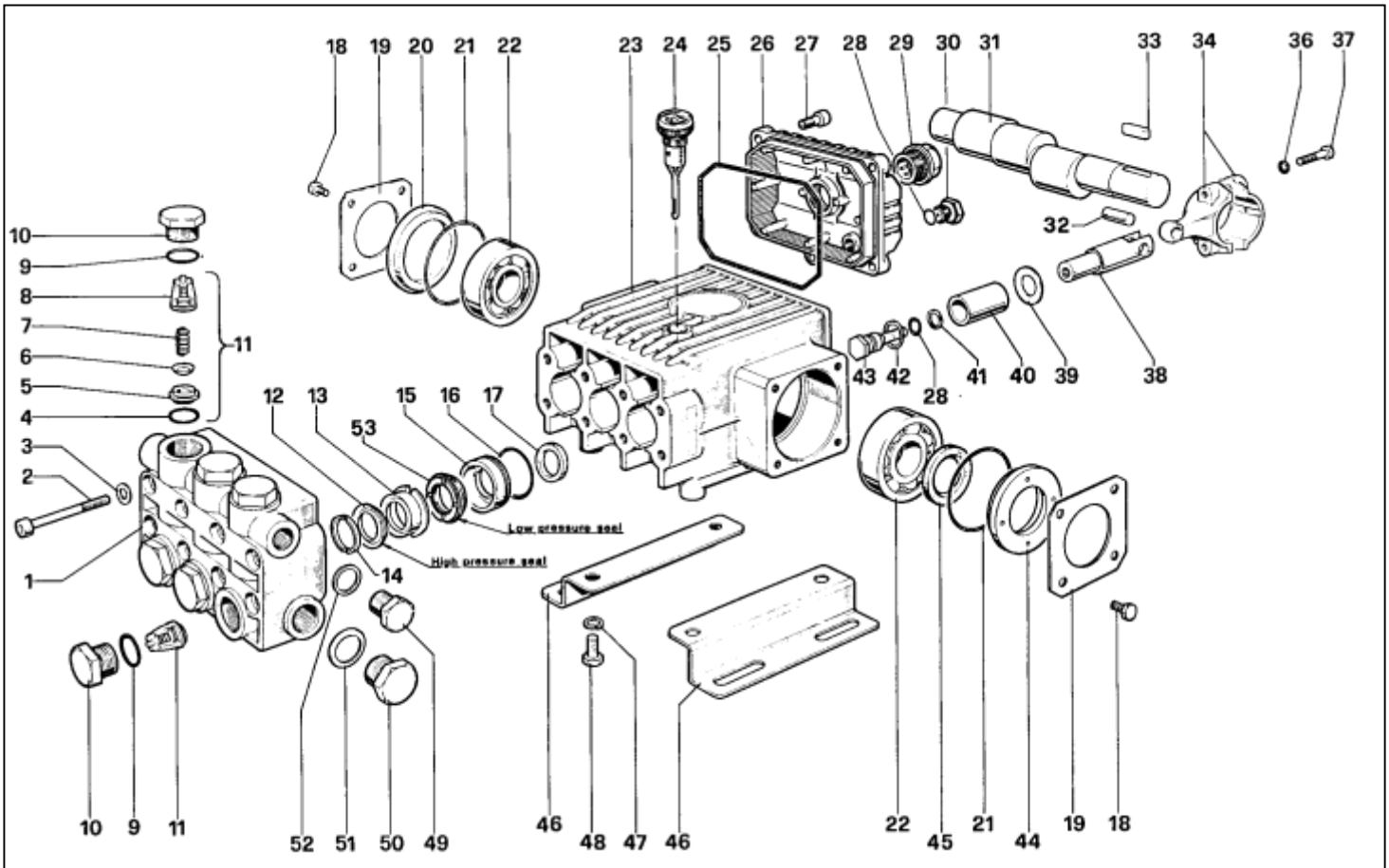


W70-W91-W98-W99-WS137-WS149



POS	REF	DESCRIPTION	KIT NO	QTY
1	50.1200.22	PUMP HEAD ALL NICKEL		1
1	50.1200.41	PUMP – OT58 – BRASS		1
2	99.3175.00	SCREW M8 X 2.62 UNI 5931		8
3	96.7014.00	WASHER DIA 8.4 X 13 X 0.8		8
4	90.3841.00	O-RING DIA 17.13 X 2.62	KIT 1	6
5	36.2003.66	VALVE SEAT	KIT 1	6
6	36.2001.76	VALVE	KIT 1	6
7	94.7376.00	SPRING DIA 9.4 X 14.8	KIT 1	6
8	36.2002.51	VALVE GUIDE	KIT 1	6
9	90.3847.00	O-RING DIA 20.24 X 2.62	KIT 4	6
10	98.2220.00	CAP M24 X 2 X 16	KIT 4	6
11	36.7032.01	VALVE UNIT	KIT 1	6
12	90.2703.00	PACKING DIA 20 H.P. SEAL	KIT 19-27	3
13	50.2166.70	INTERMEDIATE RING DIA 20	KIT 20-27	3
14	50.1000.51	HEAD RING DIA 20	KIT 21-27	3
15	50.0805.70	PACKING RETAINER DIA 20	KIT 22-27	3
16	90.3612.00	O-RING DIA 31.47 X 1.78	KIT 22-27	3
17	90.1614.00	OIL SEAL DIA 20 X 30 X 5	KIT 23	3
18	99.1807.00	SCREW M6 X 10 UNIT 5739		8
19	50.1500.74	CRANKCASE COVER		2
20	50.2116.51	SPACER		1
21	90.4097.00	O-RING DIA 55.56 X 3.53		2
22	91.8329.00	BALL BEARING 6305		2
23	50.0100.22	CRANKCASE		1
24	98.2103.00	OIL DIPSTICK G3/8		1
25	90.3920.00	O-RING DIA 101.27 X 2.62		1
26	50.1600.22	CRANKCASE COVER		1
27	99.1837.00	SCREW M6 X 14 UNI 5931		5

POS	REF	DESCRIPTION	KIT NO	QTY
28	90.3585.00	O-RING DIA 10.82 X 1.78	KIT 6	4
29	97.5968.00	OIL LEVEL INDICATOR G3/4		1
30	98.2041.00	CAP G 1/4 X 9		1
31	50.0201.35	CRANKSHAFT W91-99-WS137		1
31	50.0205.35	CRANKSHAFT W70-98-WS149		1
32	97.7330.00	PISTON PIN DIA 9 X 19.5		3
33	91.4878.00	KEY		1
34	50.0300.01	CONNECTING ROD		3
34	50.0303.01	CONNECTING ROD WS137-W997-WS149		3
36	96.6939.00	WASHER DIA 6.4 X 10 X 0.7		6
37	99.1927.00	SCREW M6 X 35 UNI 5931		6
38	50.0501.56	PISTON GUIDE		3
39	96.7286.00	WASHER DIA 14 X 28 X 0.5	KIT 6	3
40	50.0404.09	PISTON DIA 20		3
41	90.5067.00	ANTI-EXTRUSION RING	KIT 6	3
42	96.7280.00	WASHER DIA 14 X 18.5 X 0.5	KIT 6	3
43	47.2195.66	PISTON CAP SCREW	KIT 6	3
44	50.2115.51	SPACER		1
45	90.1634.00	OIL SEAL DIA 25 X 42 X 7		1
46	50.2000.74	FOOT		2
47	96.7016.00	WASHER DIA 8.4 UNI 1751		4
48	99.3037.00	SCREW M8 X 16 UNI 5739		4
49	98.2100.00	CAP G 3/8 X 13		1
50	98.2176.00	CAP G 1/2 X 10		1
51	96.7514.00	WASHER DIA 21.5 X 27 X 1.5		1
52	96.7380.00	WASHER DIA 17.5 X 23 X 1.5		1
53	90.2698.00	PACKING DIA 20 L.P. SEAL	KIT 19-27	3

SERVICE REPAIR KITS AVAILABLE:

KIT NO	KIT 1	KIT 4	KIT 6	KIT 19	KIT 20	KIT 21	KIT 22	KIT 23	KIT 27
POSITIONS INCLUDED	4-5-6-7-8-(11)	9-10	28-39-41-42-43-	12-53	13	14	15-16	17	12-13-14-15-16-53
N. PCS	6	6	3	3	3	6	3	3	1