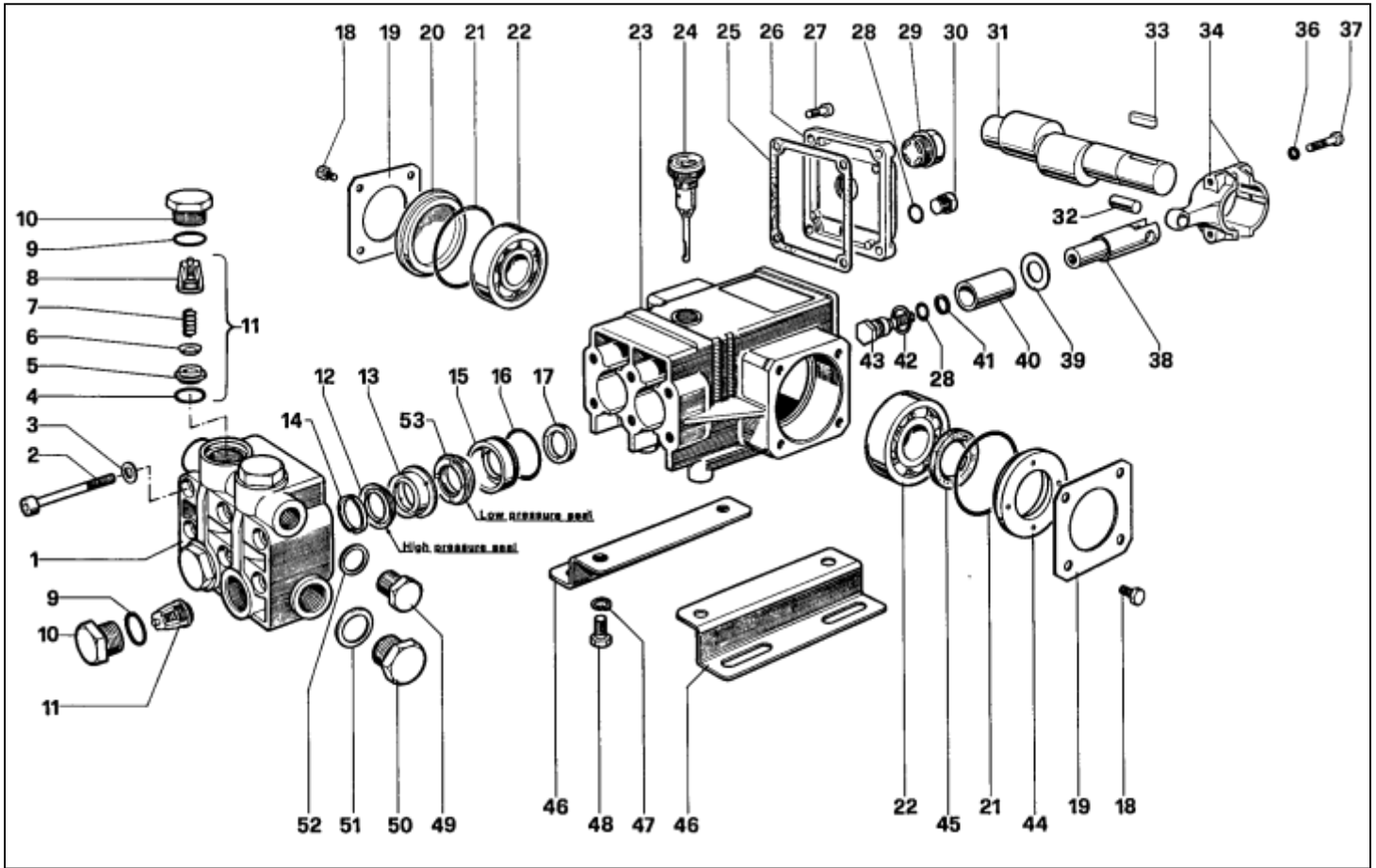


W72-W73-W72B-W73B



POS	REF	DESCRIPTION	KIT NO	QTY
1	49.1200.22	PUMP HEAD ALL-NICKEL		1
1	49.1200.41	PUMP HEAD -OT58 - BRASS		1
2	99.3175.00	SCREW M8 X 60 UNI 5931		6
3	96.7014.00	WASHER DIA 8.4 X 13 X 0.8		6
4	90.3841.00	O-RING DIA 17.13 X 2.62	KIT 1	4
5	36.2003.66	VALVE SEAT	KIT 1	4
6	36.2001.76	VALVE	KIT 1	4
7	94.7376.00	SPRING DIA 9.4 X 14.8	KIT 1	4
8	36.2002.51	VALVE GUIDE	KIT 1	4
9	90.3847.00	O-RING DIA 20.24 X 2.62	KIT 4	4
10	98.2220.00	CAP M24 X 2 X 16	KIT 4	4
11	36.7032.01	VALVE UNIT	KIT	4
12	90.2703.00	PACKING DIA 20 H.P. SEAL	KIT 19-27	2
13	50.2166.70	INTERMEDIATE RING DIA 20	KIT 20-27	2
14	50.1000.51	HEAD RING DIA 20	KIT 21-27	2
15	50.0805.70	PACKING RETAINER DIA 20	KIT 22-27	2
16	90.3612.00	O-RING DIA 31.47 X 1.78	KIT 22-27	2
17	90.1614.00	OIL SEAL DIA 20 X 30 X 5	KIT 23	2
18	99.1807.00	SCREW M6 X 10 UNI 5739		8
19	50.1500.74	CRANKCASE COVER		2
20	50.2116.51	SPACER		1
21	90.4097.00	O-RING DIA 55.56 X 3.53		2
22	91.8329.00	BALL BEARING 6305		2
23	49.0104.22	CRANKCASE		1
24	98.2103.00	OIL DIPSTICK G3/8		1
25	49.2119.84	GASKET		1
26	49.1600.22	CRANKCASE COVER SERIES W		1
27	99.1937.00	SCREW M6 X 14		4

POS	REF	DESCRIPTION	KIT NO	QTY
28	90.3585.00	O-RING DIA 10.82 X 1.78	KIT 6	3
29	97.5968.00	OIL LEVEL INDICATOR G 3/4		1
30	98.2041.00	CAP G 1/2 X 9		1
31	49.0201.35	CRANKCASE W73		1
31	49.0204.35	CRANKCASE W72		1
32	97.7330.00	PISTON PIN 9 X 19.5		2
33	91.4878.00	KEY		1
34	50.0300.01	CONNECTING ROD		2
36	96.6939.00	WASHER DIA 6.4 X 10 X 0.7		4
37	99.1927.00	SCREW M6 X 35 UNI 5931		4
38	50.0500.56	PISTON GUIDE		2
39	96.7286.00	WASHER DIA 14 X 28 X 0.5	KIT 6	2
40	50.0404.09	PISTON DIA 20		2
41	90.5067.00	ANTI-EXTRUSION RING	KIT 6	2
42	96.7280.00	WASHER DIA 14 X 18.5 X 10	KIT 6	2
43	47.2195.66	PISTON CAP SCREW	KIT 6	2
44	50.2115.51	SPACER		1
45	90.1634.00	OIL SEAL DIA 25 X 42 X 7		1
46	50.2000.74	FOOT		2
47	96.7016.00	WASHER DIA 8.4 UNI 1751		4
48	99.3037.00	SCREW M8 X 16 UNI 5739		4
49	98.2100.00	CAP G 3/8 X 13		1
50	98.2176.00	CAP G 1/2 X 10		1
51	96.7514.00	WASHER DIA 21.5 X 27 X 1.5		1
52	96.7380.00	WASHER DIA 17.5 X 23 X 1.5		1
53	90.2698.00	LP SEAL DIA 20	KIT 19-27	2

SERVICE REPAIR KITS AVAILABLE:

KIT NO	KIT 1	KIT 4	KIT 6	KIT 19	KIT 20	KIT 21	KIT 22	KIT 23	KIT 27
POSITIONS INCLUDED	4-5-6-7 8-(11)	9-10	28-39- 41 42-43	12-53	13	14	15-16	17	12-13-14 15-16-53
No pcs.	6	6	3	3	3	6	3	3	1