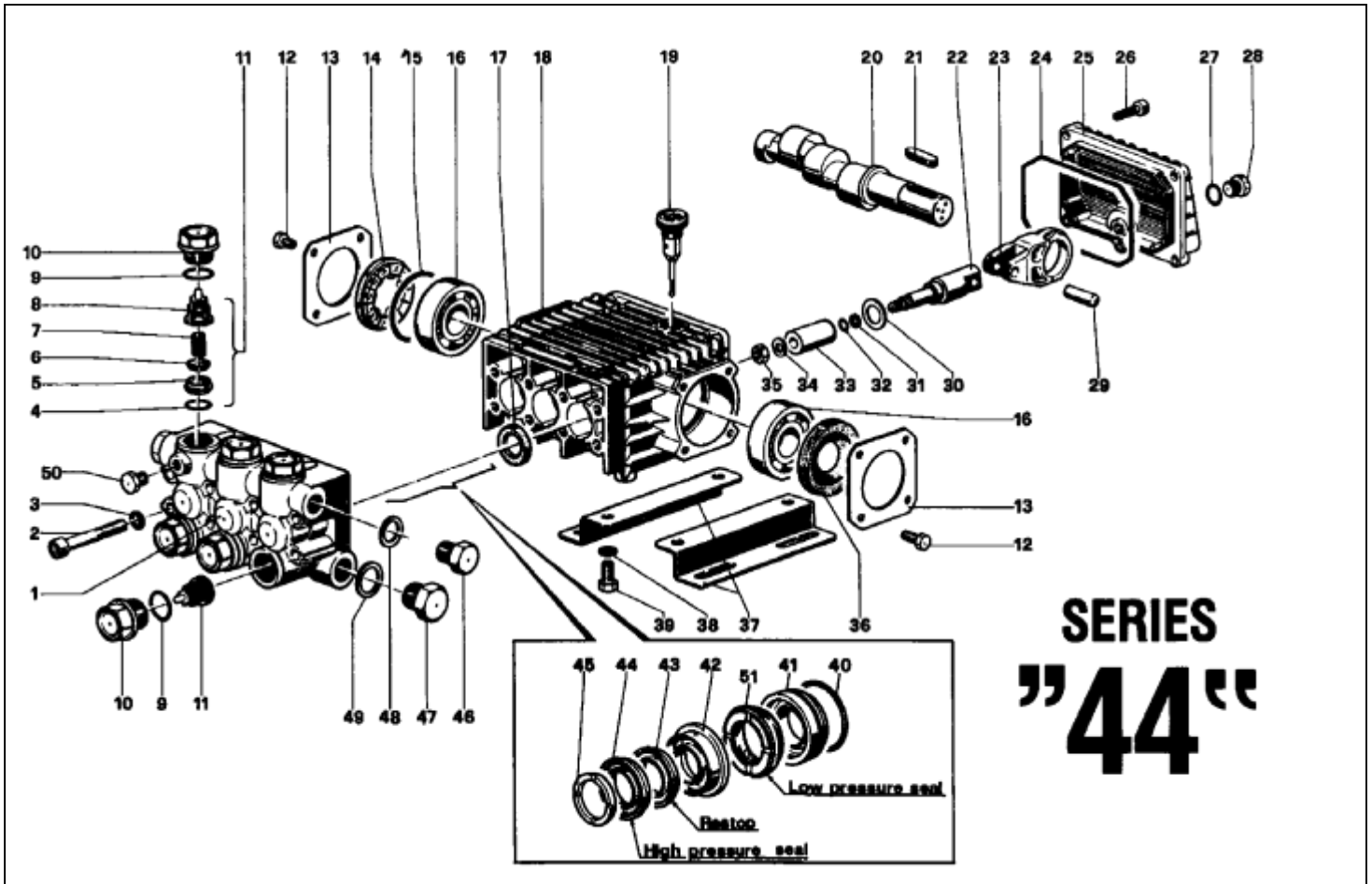


W112MV-W140MV-W154MV



SERIES
"44"

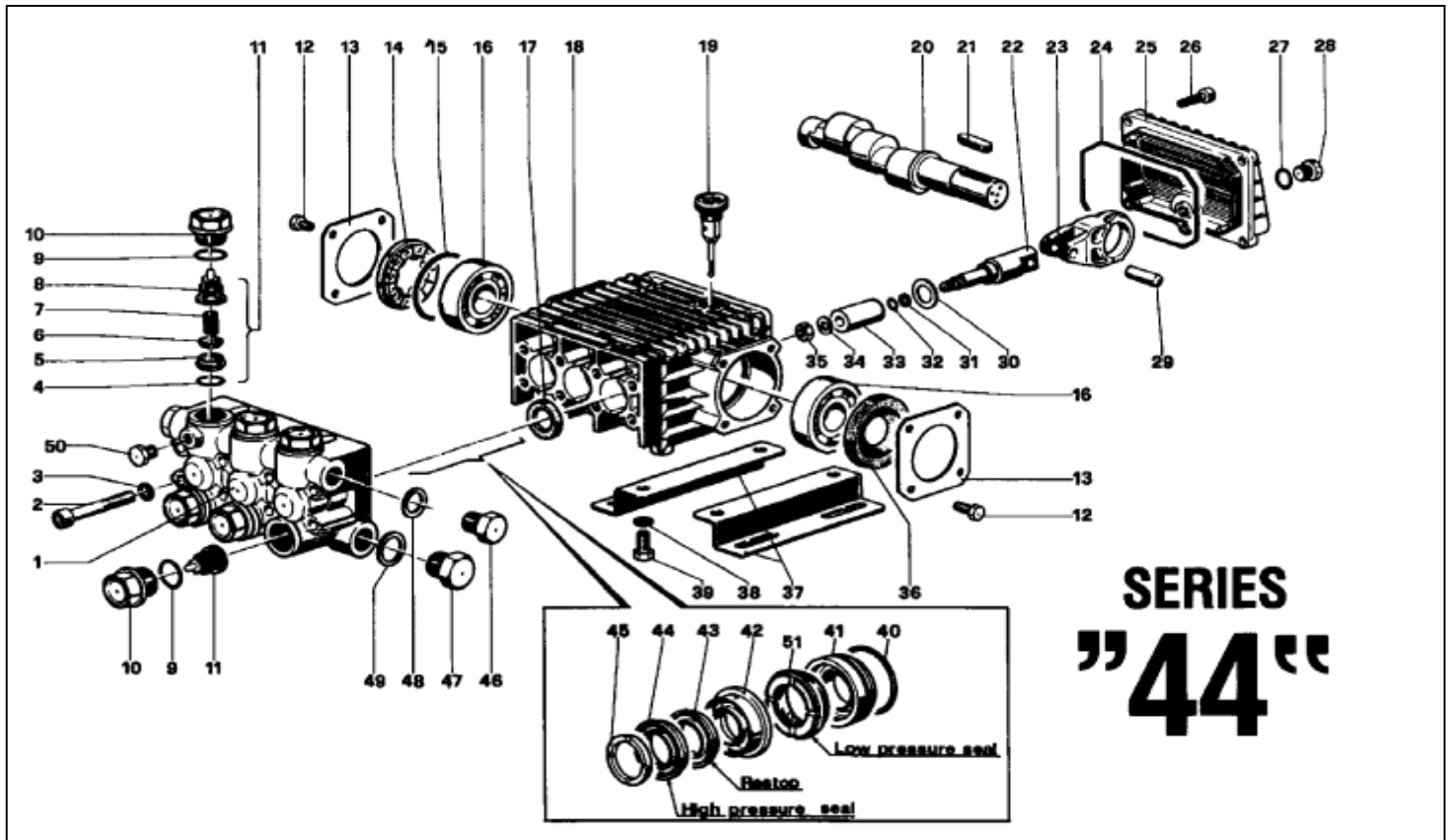
POS	REF	DESCRIPTION	KIT NO	QTY
1	N/A	SEE PAGE 2/2		
2	99.3175.00	SCREW M8X60 UNI 5931		8
3	96.7014.00	WASHER		8
4	90.3841.00	O - RING DIA 17,13 X 2,62	KIT 123	6
5	36.2003.66	VALVE SEAT	KIT 123	6
6	36.2001.76	VALVE	KIT 123	6
7	94.7376.00	SPRING DIA 9,4 X 14,8	KIT 123	6
8	36.2025.51	VALVE GUIDE	KIT 123	6
9	90.3847.00	O - RING DIA 20,24 X 2,62	KIT 124	6
10	98.2226.00	CAP M 24 X 1,5 X 17	KIT 124	6
11	36.7115.01	VALVE UNIT	KIT 123	6
12	99.1807.00	SCREW M6 X 10 UNI 5739		8
13	50.1500.74	CRANKCASE COVER		2
14	44.2118.01	SPACER INDICATOR		1
15	90.4097.00	O - RING DIA 55,56 X 3,53		1
16	91.8328.00	BALL BEARING - 6305		2
17	90.1614.00	OIL SEAL DIA 20 X 30 X 5	KIT 23	3
18	44.0100.22	CRANKCASE		1
19	98.2103.00	OIL DIPSTICK G3/8		1
20	44.0203.35	CRANKSHAFT W112-W140		1
20	44.0206.35	CRANKSHAFT W154		1
21	91.4892.00	KEY		3
22	44.0500.66	PISTON GUIDE		3
23	44.0300.22	CONNECTING ROD		1
24	90.3920.00	O - RING DIA 101,27X 2,62		1
25	44.1600.22	CRANKCASE COVER		1
26	99.1837.00	SCREW		5

POS	REF	DESCRIPTION	KIT NO	QTY
27	90.3585.00	O - RING DIA 10,82 X 1,78		1
28	98.2041.00	CAP G 1/4 X 9		1
29	97.7340.00	PISTON PIN DIA 10 X 29,5		3
30	96.7350.00	WASHER DIA 16 X 27		3
31	90.5022.00	ANTI-EXTRUSION RING		3
32	90.3572.00	O-RING DIA 5,28 X 1,78		3
33	44.0401.09	PISTON DIA 18		3
34	96.7008.00	WASHER DIA 8		3
35	92.2216.00	NUT M8 - STAINLESS STEEL		3
36	90.1641.00	OIL SEAL DIA 25 X 62 X10		1
37	50.2000.74	PUMP MOUNTING FEET		2
38	96.7016.00	WASHER DIA 8 UNI 1751		4
39	99.3037.00	SCREW M8 X 16 UNI 5739		4
40	90.3612.00	O - RING DIA 31,47 X 1,78	KIT 125-126 130-131	3
41	44.0801.70	PACKING RETAINER DIA 18	KIT 126-131	3
42	44.2161.70	INTERMEDIATE RING DIA 18	KIT 128-131	3
43	90.2683.00	BACKING SEAL DIA 18	KIT 127-131	3
44	90.2682.00	PACKING DIA 18 H.P SEAL	KIT 127-131	3
45	44.1001.51	HEAD RING DIA 18	KIT 129-131	3
46	98.2100.00	CAP G 3/8 X 13		1
47	98.2176.00	CAP G 1/2 X 10		1
48	96.7514.00	WASHER		1
49	96.7514.00	WASHER		1
50	98.1966.00	PLUG G1/8X8		1
51	90.2684.00	L.P SEAL	KIT 127-131	3

SERVICE REPAIR KITS AVAILABLE:

KIT NO	KIT 23	KIT 123	KIT 124	Ø18	KIT NO	KIT 126	KIT 127	KIT 128	KIT 129	KIT 131
POSITIONS INCLUDED	17	4-5-6 7-8 (11)	9-10	W112 W140 W154	POSITIONS INCLUDED	40-41	43-44-51	42	45	40-41-42 43-44-45 51
No pcs.	3	6	6		No pcs.	3	3	3	6	1

W150M-W112M-W140M-W154M-WW209



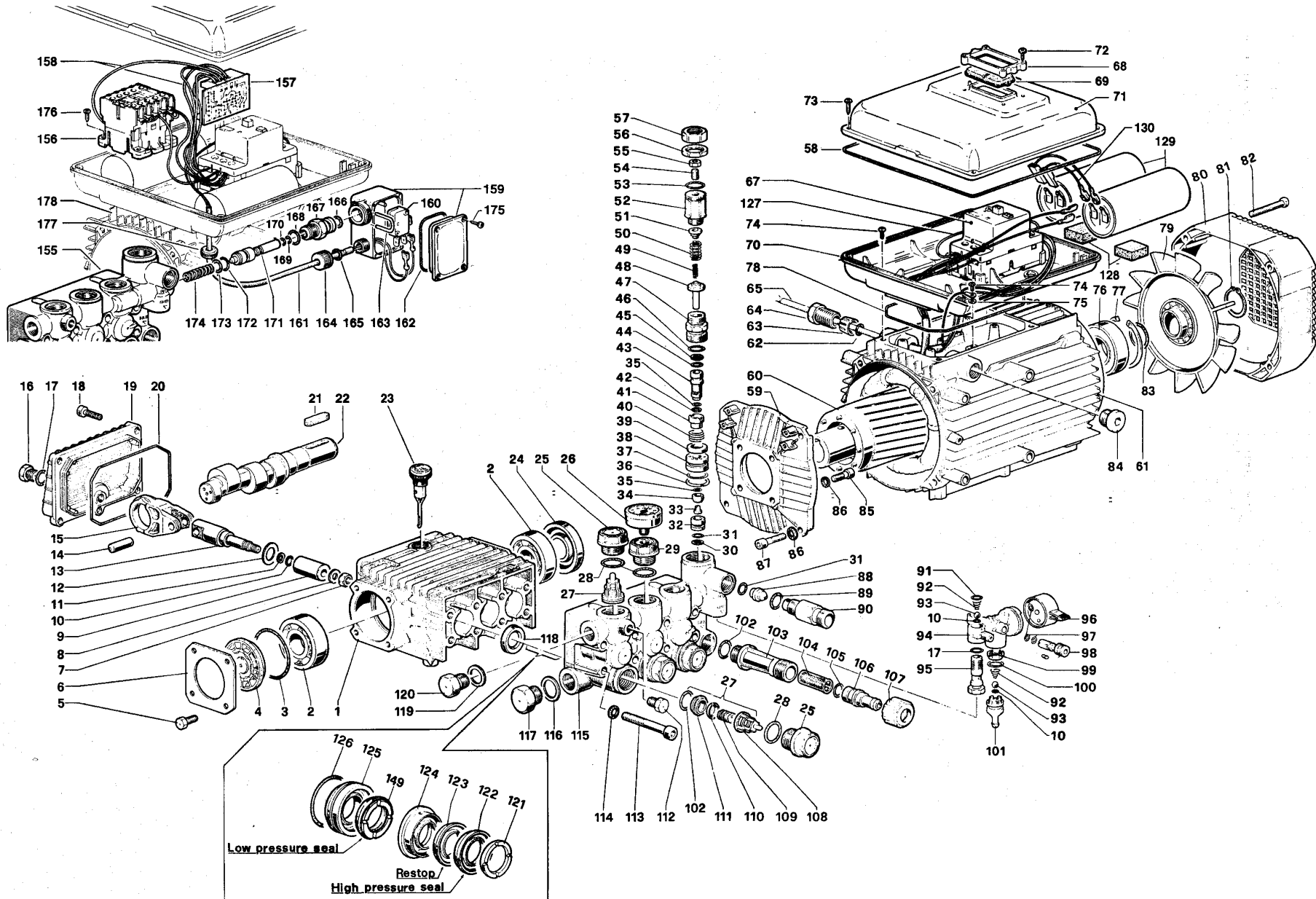
SERIES
"44"

POS	REF	DESCRIPTION	KIT NO	QTY	POS	REF	DESCRIPTION	KIT NO	QTY
1	44.1200.41	PUMP MANIFOLD (PISTON DIA 15)		1	29	97.7340.00	PISTON PIN DIA 10 X 29,5		3
1	44.1204.41	PUMP MANIFOLD (PISTON DIA 18)		1	30	96.7350.00	WASHER DIA 16 X 27		3
2	99.3175.00	SCREW M8X60 UNI 5931		8	31	90.5022.00	ANTI-EXTRUSION RING		3
3	96.7014.00	WASHER		8	32	90.3572.00	O - RING DIA 5,28 X 1,78		3
4	90.3841.00	O - RING DIA 17,13 X 2,62	KIT 123	6	33	52.0400.09	PISTON DIA 15		3
5	36.2003.66	VALVE SEAT	KIT 123	6	33	44.0401.09	PISTON DIA 18		3
6	36.2001.76	VALVE	KIT 123	6	34	96.7008.00	WASHER DIA 8		3
7	94.7376.00	SPRING DIA 9,4 X 14,8	KIT 123	6	35	92.2216.00	NUT M8 - STAINLESS STEEL		3
8	36.2025.51	VALVE GUIDE	KIT 123	6	36	90.1641.00	OIL SEAL DIA 25 X 62 X10		1
9	90.3847.00	O - RING DIA 20,24 X 2,62	KIT 124	6	37	50.2000.74	PUMP MOUNTING FEET		2
10	98.2226.00	CAP M 24 X 1,5 X 17	KIT 124	6	38	96.7016.00	WASHER DIA 8 UNI 1751		4
11	36.7115.01	VALVE UNIT	KIT 123	6	39	99.3037.00	SCREW M8 X 16 UNI 5739		4
12	99.1807.00	SCREW M6 X 10 UNI 5739		8	40	90.3612.00	O - RING DIA 31,47 X 1,78	KIT 125-126-130-131 130-131	3
13	50.1500.74	CRANKCASE COVER		2	41	44.0800.70	PACKING RETAINER DIA 15	KIT 125-130	3
14	44.2118.01	SPACER INDICATOR		1	41	44.0801.70	PACKING RETAINER DIA 18	KIT 126-131	3
15	90.4097.00	O - RING DIA 55,56 X 3,53		1	42	52.2166.70	INTERMEDIATE RING DIA 15	KIT 89-130	3
16	91.8328.00	BALL BEARING - 6305		2	42	44.2161.70	INTERMEDIATE RING DIA 18	KIT 128-131	3
17	90.1614.00	OIL SEAL DIA 20 X 30 X 5	KIT 23	3	43	90.2622.00	BACKING SEAL DIA 15	KIT 88-130	3
18	44.0100.22	CRANKCASE		1	43	90.2683.00	BACKING SEAL DIA 18	KIT 127-131	3
19	98.2103.00	OIL DIPSTICK G3/8		1	44	90.2620.00	PACKING DIA 15 H.P SEAL	KIT 88-130	3
20	44.0203.35	CRANKSHAFT W112-W140-W150-WW209		1	44	90.2682.00	PACKING DIA 18 H.P SEAL	KIT 127-131	3
20	44.0206.35	CRANKSHAFT W154		1	45	51.1000.51	HEAD RING DIA 15	KIT 90-130	3
21	91.4892.00	KEY		1	45	44.1001.51	HEAD RING DIA 18	KIT 129-131	3
22	44.0500.66	PISTON GUIDE		3	46	98.2100.00	CAP G 3/8 X 13		1
23	44.0300.22	CONNECTING ROD		3	47	98.2176.00	CAP G 1/2 X 10		1
24	90.3920.00	O - RING DIA 101,27X 2,62		1	48	96.7380.00	WASHER DIA 17,5 X 23 X 1,5		1
25	44.1600.22	CRANKCASE COVER		1	49	96.7514.00	WASHER DIA 21,5 X 27 X 1,5		1
26	99.1837.00	SCREW M6 X 14 UNI 5931		5	50	98.1966.00	RING		3
27	90.3585.00	O - RING DIA 10,82 X 1,78		1	51	90.2617.00	L.P SEAL DIA 15	KIT 88-130	3
28	98.2041.00	CAP G 1/4 X 9		1	51	90.2684.00	L.P SEAL DIA 18	KIT 127-131	3

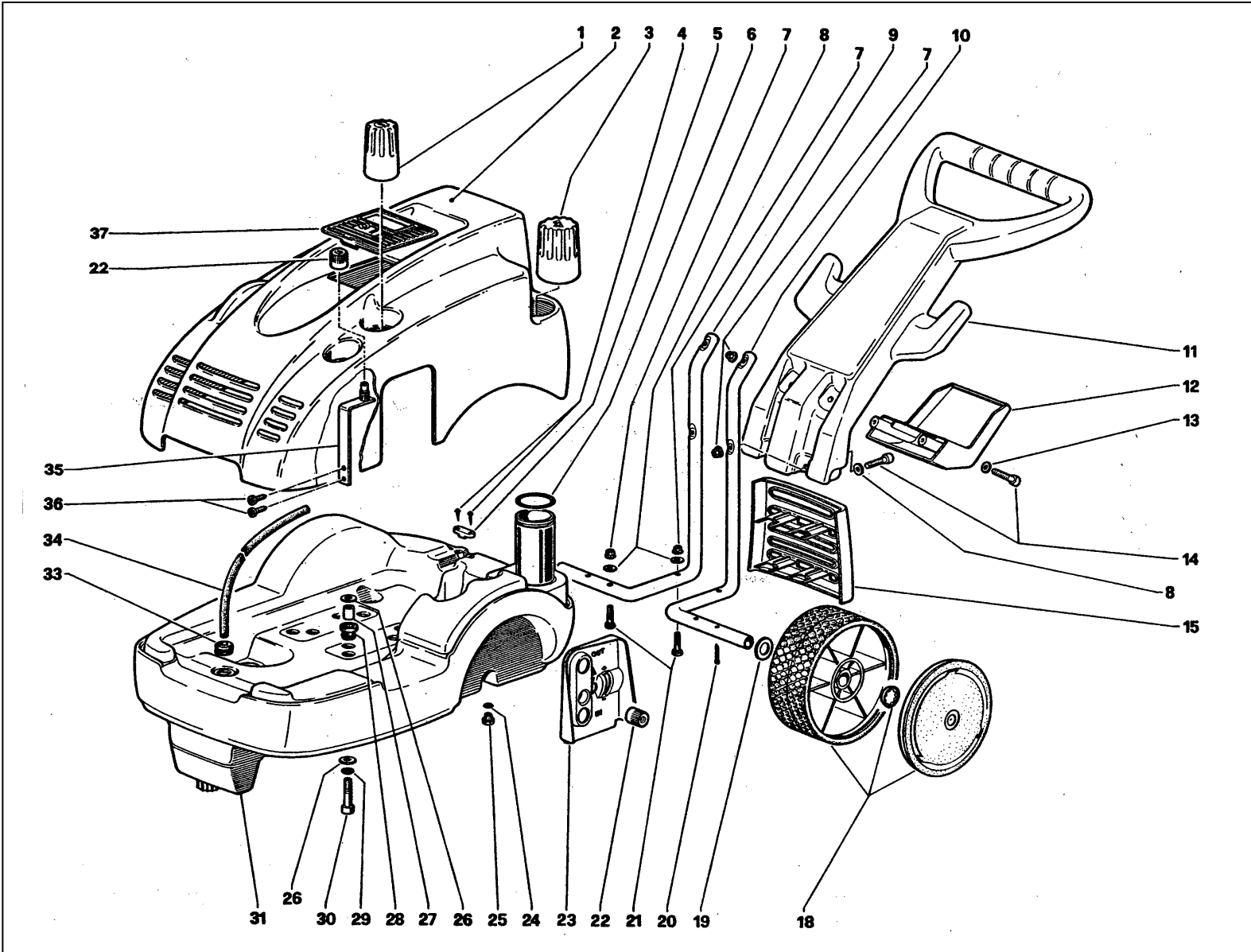
SERVICE REPAIR KITS AVAILABLE:

KIT NO	KIT 23	KIT 123	KIT 124	Ø15	KIT NO	KIT 88	KIT 89	KIT 90	KIT 125	KIT 130
POSITIONS INCLUDED	17	4-5-6 7-8 (11)	9-10	W150 WW209	POSITIONS INCLUDED	43-44-51	42	45	40-41	40-41-42 43-44-45 51
No pcs.	3	6	6		No pcs.	3	3	6	3	1
				Ø18	KIT NO	KIT 126	KIT 127	KIT 128	KIT 129	KIT 131
				W112 W140 W154	POSITIONS INCLUDED	40-41	43-44-51	42	45	40-41-42 43-44-45 51
					No pcs.	3	3	3	6	1

TSX12100



TSX12100



POS	REF	QTY
1	36.3221.51	1
2	23.0178.51	1
3	23.0087.51	1
4	99.1312.00	2
5	23.0095.51	1
6	90.3889.00	1
7	92.2040.00	8
8	96.6962.00	6
9	23.0089.88	1
10	23.0088.88	1
11	23.0093.51	1
12	23.0102.51	1
13	96.6925.00	2
14	99.1943.00	4
15	23.0086.51	1
18	96.9327.00	2
19	96.7521.00	2
20	91.7129.00	2
21	99.1929.00	4
22	52.2122.51	2
23	23.0090.51	1
24	90.3818.00	1
25	98.2041.00	1
26	96.7072.00	8
27	23.0099.70	4
28	23.0098.47	4
29	96.7016.00	4
30	99.3129.00	4
31	23.0092.02	1
33	23.0101.47	1
34	10.0529.98	1
35	23.0192.02	1
36	99.1474.00	2
37	23.0183.51	1