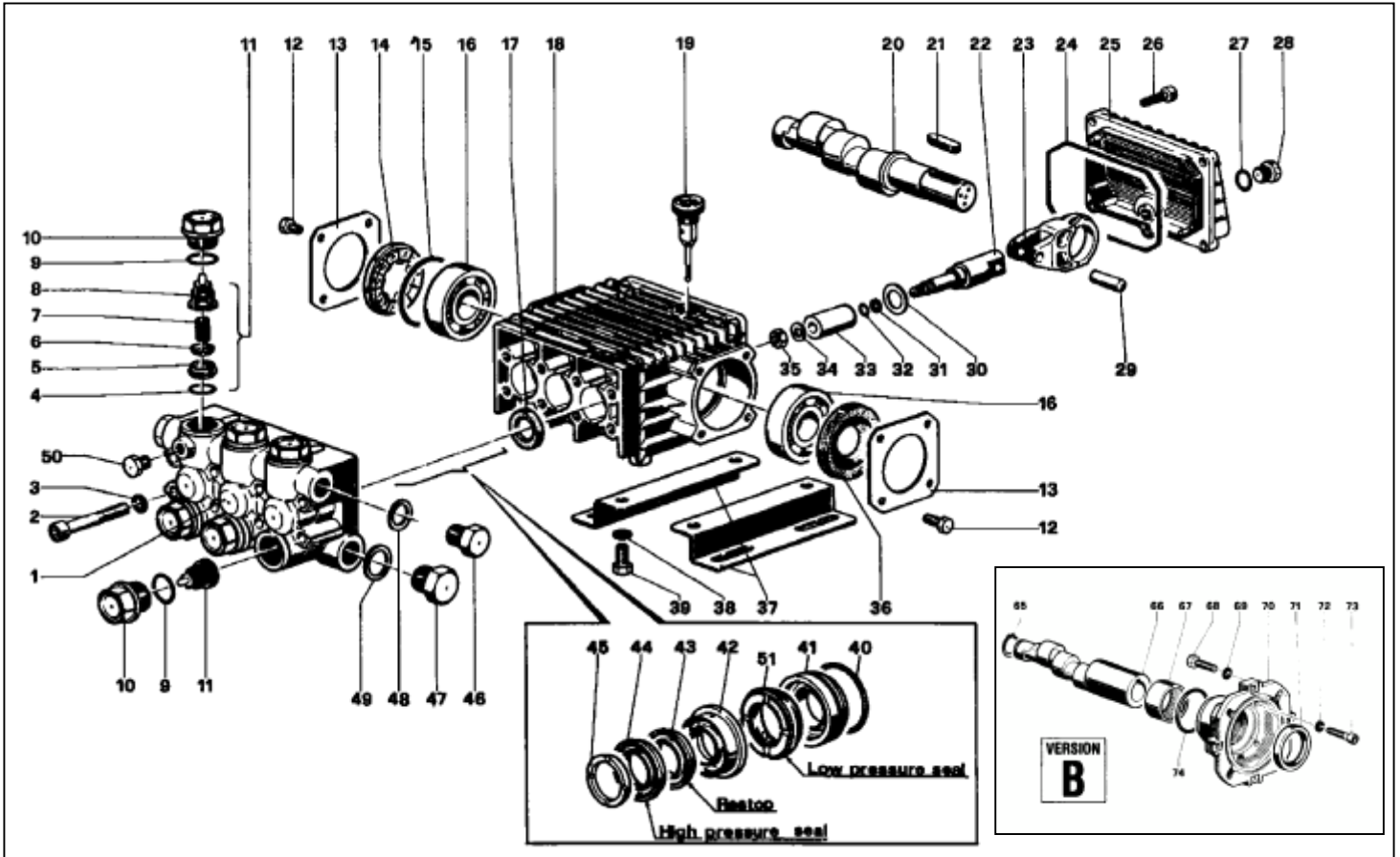


W112BV-W140BV-W154BV



POS	REF	DESCRIPTION	KIT NO	QTY	POS	REF	DESCRIPTION	KIT NO	QTY
1		SEE PAGE 2/2			33	44.0401.09	PISTON DIA 18		3
2	99.3175.00	SCREW M8X60 UNI 5931		8	34	96.7008.00	WASHER DIA 8		3
3	96.7014.00	WASHER		8	35	92.2216.00	NUT M8 - STAINLESS STEEL		3
4	90.3841.00	O - RING DIA 17,13 X 2,62	KIT 123	6	36	90.1641.00	OIL SEAL DIA 25 X 62 X10		1
5	36.2003.66	VALVE SEAT	KIT 123	6	37	50.2000.74	PUMP MOUNTING FEET		2
6	36.2001.76	VALVE	KIT 123	6	38	96.7016.00	WASHER DIA 8 UNI 1751		4
7	94.7376.00	SPRING DIA 9,4 X 14,8	KIT 123	6	39	99.3037.00	SCREW M8 X 16 UNI 5739		4
8	36.2025.51	VALVE GUIDE	KIT 123	6	40	90.3612.00	O - RING DIA 31,47 X 1,78	KIT 125-126-130-131	3
9	90.3847.00	O - RING DIA 20,24 X 2,62	KIT 124	6	41	44.0801.70	PACKING RETAINER DIA 18	KIT 126-131	3
10	98.2226.00	CAP M 24 X 1,5 X 17	KIT 124	6	42	44.2161.70	INTERMEDIATE RING DIA 18	KIT 128-131	3
11	36.7115.01	VALVE UNIT	KIT 123	6	43	90.2683.00	BACKING SEAL DIA 18	KIT 127-131	3
12	99.1807.00	SCREW M6 X 10 UNI 5739		8	44	90.2682.00	PACKING DIA 18 H.P SEAL	KIT 127-131	3
13	50.1500.74	CRANKCASE COVER		2	45	44.1001.51	HEAD RING DIA 18	KIT 129-131	3
14	44.2118.01	SPACER INDICATOR		1	46	98.2100.00	CAP G 3/8 X 13		1
15	90.4097.00	O - RING DIA 55,56 X 3,53		1	47	98.2176.00	CAP G 1/2 X 10		1
16	91.8328.00	BALL BEARING - 6305		2	48	96.7380.00	WASHER DIA 17,5 X 23 X 1,5		1
17	90.1614.00	OIL SEAL DIA 20 X 30 X 5	KIT 23	3	49	96.7514.00	WASHER DIA 21,5 X 27 X 1,5		1
18	44.0100.22	CRANKCASE		1	50	98.1966.00	CAP G 1/8 X 8		1
19	98.2103.00	OIL DIPSTICK G3/8		1	51	90.2684.00	LOW PRESSURE SEAL 18	KIT 127-131	3
20		SEE ITEM 66			65	90.0635.00	CRANKCASE CIRCLIP		1
20		SEE ITEM 66			66	44.0213.65	CRANKSHAFT W112,W140		1
21	91.4892.00	KEY		3	66	44.0215.65	CRANKSHAFT W154		1
22	44.0500.66	PISTON GUIDE		3	67	91.8568.00	NEEDLE BEARING		1
23	44.0300.22	CONNECTING ROD		3	68	99.3067.00	SCREW M8 X 25 UNI 5739		4
24	90.3920.00	O - RING DIA 101,27X 2,62		1	69	96.7014.00	WASHER DIA 8		4
25	44.1600.22	CRANKCASE COVER		1	70	10.0494.22	MOTOR FLANGE		1
26	99.1837.00	O-RING		1	71	90.1690.00	OIL SEAL 45 X 62 X 8		1
27	90.3585.00	O - RING DIA 10,82 X 1,78		5	72	96.6938.00	WASHER DIA 6		4
28	98.2041.00	CAP G ¼ X 9		1	73	99.1912.00	SCREW M6 X 30 UNI 5931		4
29	97.7340.00	PISTON PIN DIA 10 X 29,5		3	74	90.4097.00	O - RING 55,56 X 3,53		1
30	96.7350.00	WASHER DIA 16 X 27		3					
31	90.5022.00	ANTI-EXTRUSION RING		3					
32	90.3572.00	O - RING DIA 5,28 X 1,78		3					

SERVICE REPAIR KITS AVAILABLE:

KIT NO	KIT 23	KIT 123	KIT 124	Ø18	KIT NO	KIT 126	KIT 127	KIT 128	KIT 129	KIT 131
POSITIONS INCLUDED	17	4-5-6 7-8 (11)	9-10	W112 W140 W154	POSITIONS INCLUDED	40-41	43-44-51	42	45	40-41-42 43-44-45 51
No pcs.	3	6	6		No pcs.	3	3	3	6	1

