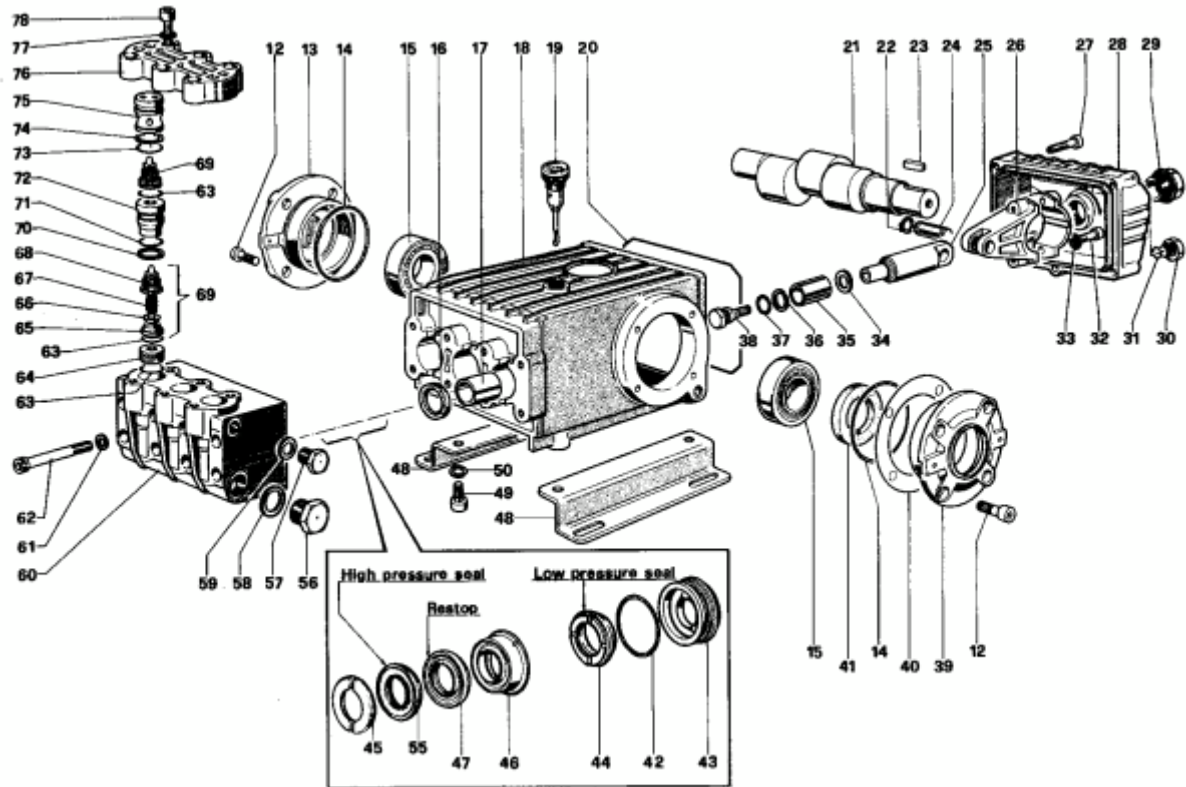


T5050



POS	REF	DESCRIPTION	KIT NO	QTY
12	99.3039.00	SCREW M8X16 UNI 5931		8
13	47.1501.22	CRANKCASE COVER		1
14	90.3913.00	O-RING 67,95X2,62		2
15	91.8377.00	ROLLER BEARING		2
16	90.1625.00	OIL SEAL 22X32X5,5	KIT 2	3
17	90.9126.00	BUSHING 22X25X30		3
18	47.0106.22	CRANKCASE		1
19	98.2106.00	DIPSTICK		1
20	90.3922.00	O-RING		1
21	47.0223.35	CRANKSHAFT		1
22	90.0557.00	CIRCLIP		6
23	91.4890.00	KEY		1
24	97.7380.00	PISTON PIN 13X35		3
25	47.0506.54	PISTON GUIDE		3
26	47.0300.01	CON-ROD COMPLETE		3
27	99.1912.00	SCREW M6X30 UNI5931		5
28	47.1601.22	CRANKCASE COVER		1
29	97.5968.00	OIL LEVEL INDICATOR		1
30	98.2041.00	CAP G1/4X9		1
31	90.3585.00	O-RING 10,82X1,78		1
32	99.3099.00	SCREW M8X35 UNI5931		6
33	96.7014.00	WASHER 8,4X13X0,8		6
34	47.2102.70	SPACER 11X15,5X2,5		3
35	47.0408.56	PISTON 16		3
36	90.5033.00	ANTI EXTRUSION RING	KIT 107	3
37	90.3577.00	O-RING 7,66X1,78	KIT 107	3
38	47.2196.66	PISTON BOLT	KIT 107	3
39	47.1500.22	CRANKCASE COVER		1
40	97.5678.00	SHIM		2
41	90.1648.00	OIL SEAL 30X55X7	KIT 3	1
42	90.3616.00	O-RING 34,65X1,78	KIT 151	3
43	47.0811.70	PACKING RETAINER 16	KIT 151	3

POS	REF	DESCRIPTION	KIT NO	QTY
44	90.2644.00	PACKING 16 L.P SEAL	KIT 109-151	3
45	47.1003.51	HEAD RING 16	KIT 108-151	3
46	47.2172.70	INTERMEDIATE RING 16	KIT 110-151	3
47	90.2643.00	RESTOP SEAL 16	KIT 109-151	3
48	47.2000.74	FOOT		2
49	99.3644.00	SCREW		4
50	96.7106.00	WASHER		4
55	90.2642.00	H.P SEAL 16	KIT 109-151	3
56	98.2176.00	CAP G1/2X10		1
57	98.2100.00	CAP G3/8X13		1
58	96.7514.00	WASHER 21,5X27X1,5		1
59	96.7380.00	WASHER 17,5X23X1,5		1
60	47.1216.41	MANIFOLD		1
61	96.7020.00	WASHER 8 UNI 1736		8
62	99.3260.00	SCREW M8X100 UNI5931		8
63	90.3841.00	O-RING 17,13X2,62	KIT 150	9
64	47.2104.70	SPACER		3
65	36.2003.66	VALVE SEAT	KIT 150	6
66	36.2032.66	VALVE BUSH	KIT 150	6
67	94.7376.00	SPRING 9,4X14,8	KIT 150	6
68	36.2025.51	VALVE GUIDE	KIT 150	6
69	36.7121.01	VALVE UNIT	KIT 150	6
70	90.5115.00	ANTI EXTRUSION RING		3
71	90.3843.00	O-RING 17,86X2,62		3
72	47.2103.66	BUSH		3
73	90.4041.00	O-RING 20,22X3,53		3
74	90.5146.00	ANTI EXTRUSION RING		3
75	47.2101.70	CAP 28		3
76	47.2100.41	VALVE COVER		1
77	96.7195.00	WASHER		6
78	99.4282.00	SCREW		6

SERVICE REPAIR KITS AVAILABLE:

KIT NO	KIT 2	KIT 3	KIT 107	KIT 108	KIT 109	KIT 110	KIT 150	KIT 151
POSITIONS INCLUDED	16	41	36-37-38	45	44-47-55	46	63-65-66 67-68 (69)	42-43-44- 45 46-47- 55
N. PCS	3	2	3	6	3	3	6	1