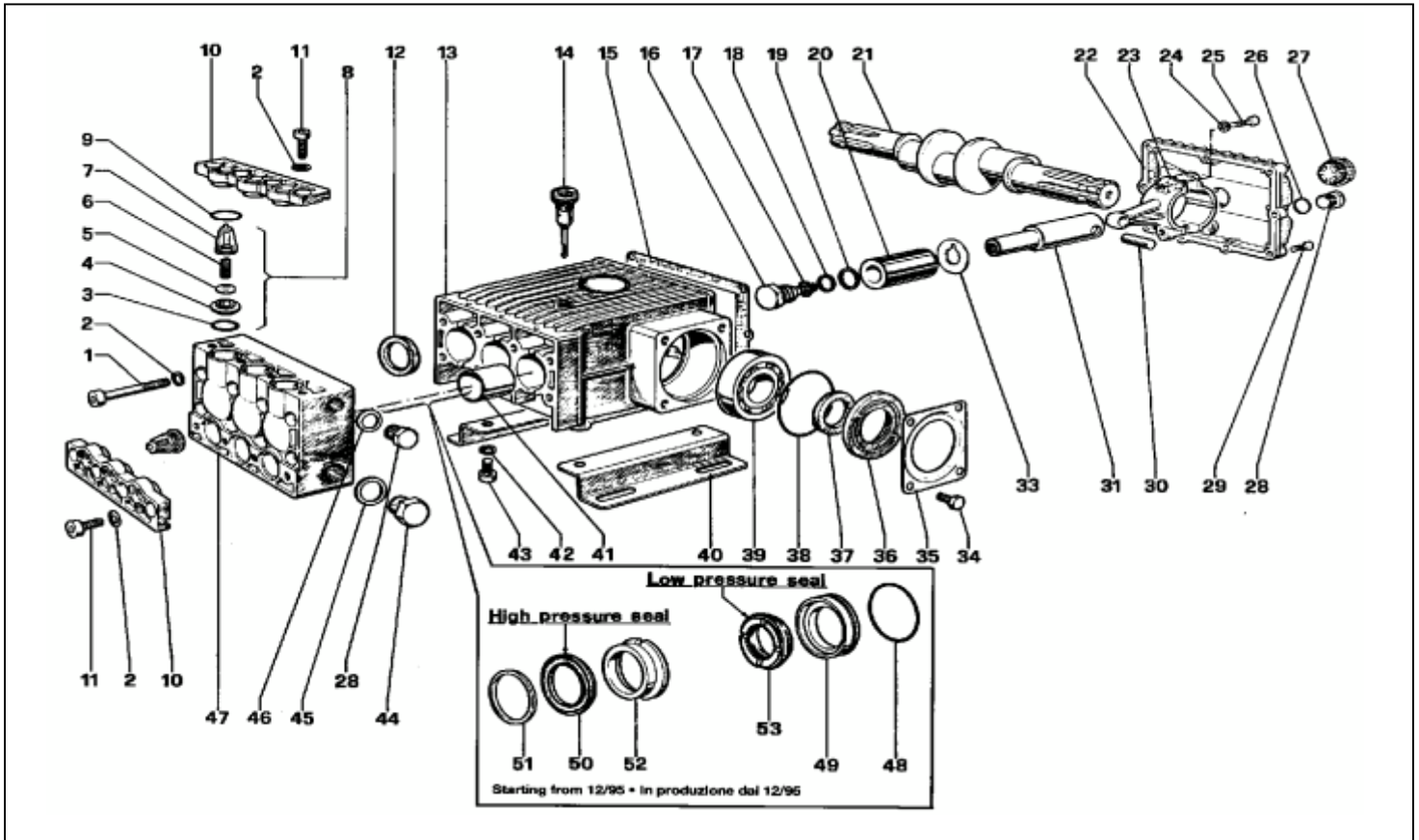


T44-T55



POS	REF	DESCRIPTION	KIT NO	QTY
1	99.3787.00	SCREW M10X80 UNI 5931		8
2	96.7104.00	WASHER DIA 10,5		16
3	90.3859.00	O-RING DIA 25,07X2,62	KIT 62	6
4	36.2017.66	VALVE SEAT	KIT 62	6
5	36.2018.76	VALVE	KIT 62	6
6	94.7394.00	SPRING DIA 10,7X22,5	KIT 62	6
7	36.2008.51	VALVE GUIDE	KIT 62	6
8	36.7060.01	VALVE UNIT	KIT 62	6
9	90.4055.00	O-RING DIA 29,75X3,53		6
10	69.2180.22	VALVE COVER		2
11	99.3669.00	SCREW M10X25 UNI 5931		8
12	90.1656.00	OIL SEAL DIA 32X42X7	KIT 37	3
13	69.0100.22	CRANKCASE		1
14	98.2106.00	OIL DIPSTICK G 3/4		1
15	69.2119.84	GASKET COVER		1
16	69.2195.66	PISTON SCREW	KIT 74	3
17	90.3841.00	O-RING DIA 17,13X2,62	KIT 74	3
18	90.5107.00	ANTI-EXTRUSION RING	KIT 74	3
19	96.7555.00	WASHER DIA 22X27X0,5	KIT 74	3
20	69.0400.09	PISTON DIA 36		3
21	69.0200.35	CRANKSHAFT 1"3/8 - 1"3/8		1
22	69.1600.22	CRANKCASE COVER		1
23	69.0300.01	CON-ROD		3
24	96.7014.00	WASHER DIA 8,4		6
25	99.3099.00	SCREW M8X35 UNI 5931		6
26	90.3833.00	O-RING DIA 13,95X2,62		1
27	97.5968.00	OIL LEVEL INDICATOR		1
28	98.2100.00	CAP		2

POS	REF	DESCRIPTION	KIT NO	QTY
29	99.1867.00	SCREW M6X18 UNI 5931		9
30	97.7398.00	PISTON PIN		3
31	69.0500.22	PISTON GUIDE		3
33	96.7565.00	WASHER DIA 22,3X42X0,5		3
34	99.3636.00	SCREW M10X16 UNI 5739		8
35	68.1500.74	CRANKCASE COVER		2
36	69.2115.51	SPACER (OPEN)		2
36	69.2116.51	SPACER (CLOSED)		1
37	90.1672.00	OIL SEAL DIA 35X52X8	KIT 37	2
38	90.4131.00	O-RING DIA 73,03X3,53		2
39	91.8480.00	BALL BEARING		2
40	47.2000.74	FOOT		2
41	90.9162.00	BUSH DIA 32X36X40		3
42	96.7106.00	WASHER DIA 10 DIN 7980		4
43	99.3644.00	SCREW M10X18 UNI 5931		4
44	98.2265.00	CAP G 3/4X16		1
45	96.7700.00	WASHER DIA 26,5X32X1,5		1
46	96.7380.00	WASHER DIA 17,5X23X1,5		1
47	69.1200.22	MANIFOLD		1
48	90.3885.00	O-RING DIA 45,69X2,62	KIT 39-40	3
49	69.0802.70	PACKING RETAINER DIA 36	KIT 39-40	3
50	90.2820.00	PACKING DIA 36 H.P SEAL	KIT 38-39	3
51	69.1002.93	HEAD RING DIA 36	KIT 39-41	3
52	69.2168.70	INTERMEDIATE RING DIA 36	KIT 39-42	3
53	90.2823.00	PACKING DIA 36 L.P SEAL	KIT 38-39	3

SERVICE REPAIR KITS AVAILABLE:

KIT NO	KIT 32	KIT 37	KIT 38	KIT 39	KIT 40	KIT 41	KIT 42	KIT 62	KIT 74
POSITIONS INCLUDED	37	12	50-53	48-49 50-51 52-53	48-49	51	52	3-4-5-6-7 (8)	16-17 18-19
N. PCS	2	3	3	1	3	6	3	6	3