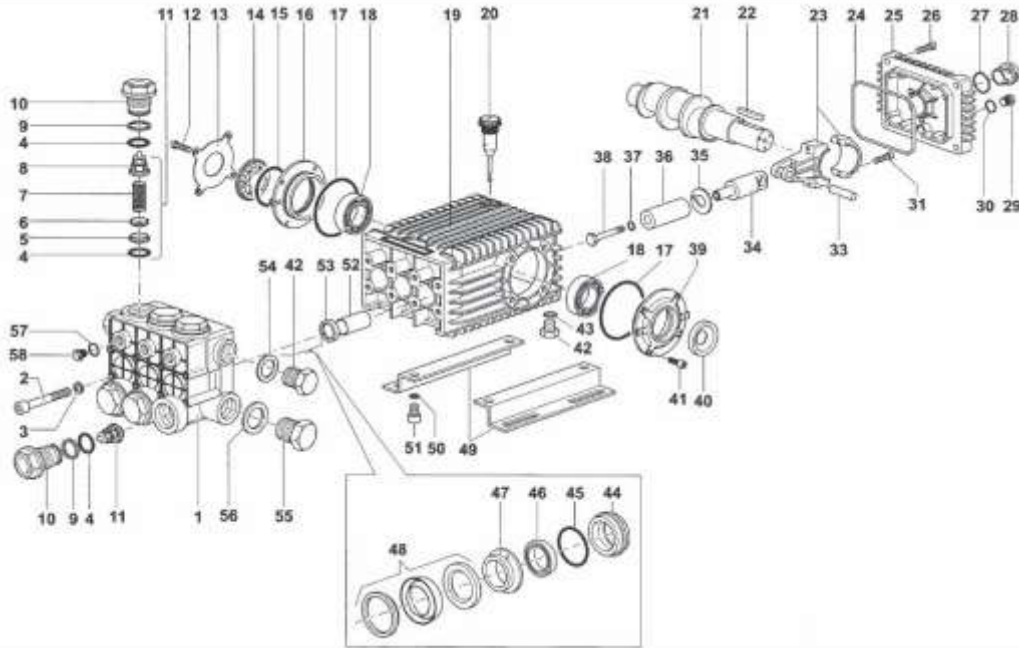


# W2030-W2035-T2040



| POS | REF        | DECRPTION                | KIT NO | QTY |
|-----|------------|--------------------------|--------|-----|
| 1   | 88.1201.41 | MANIFOLD ( PISTON 22 Ø ) |        | 1   |
| 2   | 99.3801.00 | SCREW M 10 x 90          |        | 8   |
| 3   | 96.7104.00 | WASHER Ø 10              |        | 8   |
| 4   | 90.3857.00 | O RING 23,81 x 2,62      | KIT169 | 12  |
| 5   | 36.2033.66 | VALVE SEAT               | KIT169 | 6   |
| 6   | 36.2034.76 | VALVE                    | KIT169 | 6   |
| 7   | 94.7388.00 | SPRING Ø 10 x 18,5       | KIT169 | 6   |
| 8   | 36.2035.51 | VALVE GUIDE              | KIT169 | 6   |
| 9   | 90.5165.00 | O RING                   |        | 6   |
| 10  | 66.1300.41 | CAP M 32x1,5x29,5        |        | 6   |
| 11  | 36.7127.01 | VALVE UNIT               | KIT169 | 6   |
| 12  | 99.3069.00 | SCREW M 8 x 25           |        | 4   |
| 13  | 66.1502.74 | COVER                    |        | 1   |
| 14  | 44.2118.01 | DISTANCE                 |        | 1   |
| 15  | 90.4097.00 | O RING Ø 55,56 x 3,53    |        | 1   |
| 16  | 66.1501.22 | FLANGE                   |        | 1   |
| 17  | 90.3913.00 | O RING Ø 67,95 x 2,62    |        | 2   |
| 18  | 91.8380.00 | ROLLER BEARING           |        | 2   |
| 19  | 66.0100.22 | CRANKCASE                |        | 1   |
| 20  | 98.2106.00 | OIL DIPSTICK             |        | 1   |
| 21  | 66.0204.35 | CRANKSHAFT T2040-W2035   |        | 1   |
| 21  | 66.0200.35 | CRANKSHAFT W2030         |        | 1   |
| 22  | 91.4892.00 | KEY                      |        | 1   |
| 23  | 66.0300.01 | CONECTING ROD            |        | 3   |
| 24  | 90.3922.00 | O RING Ø 133,02 x 2,62   |        | 1   |
| 25  | 66.1600.22 | CRANKCASE COVER          |        | 1   |
| 26  | 99.1884.00 | SCREW M 6 x 20           |        | 4   |
| 27  | 90.4051.00 | O RING Ø 26,58 x 3,53    |        | 1   |
| 28  | 63.2100.51 | OIL LEVEL INDICATOR      |        | 1   |
| 29  | 98.2041.00 | CAP ¼ x 9                |        | 1   |

| POS | REF        | DECRPTION                    | KIT NO     | QTY |
|-----|------------|------------------------------|------------|-----|
| 30  | 90.3585.00 | O RING Ø 10,82 x 1,78        |            | 1   |
| 31  | 90.3099.00 | SCREW M8 x 35                |            | 6   |
| 32  | 96.7014.00 | WASHER Ø 8                   |            | 6   |
| 33  | 97.7405.00 | PISTON PIN Ø 14 x 39         |            | 3   |
| 34  | 66.0500.64 | PISTON GUIDE                 |            | 3   |
| 35  | 96.7101.00 | WASHER Ø 10 x 28 x 0,5       |            | 3   |
| 36  | 66.0401.09 | PISTON Ø 22 x 54             |            | 3   |
| 37  | 90.3584.00 | O RING Ø 10,82 x 1,78-90     |            | 3   |
| 38  | 66.2195.66 | PISTON SCREW                 |            | 3   |
| 39  | 66.1500.22 | CRANKCASE COVER              |            | 1   |
| 40  | 90.1648.00 | OIL SEAL Ø 30x55x7           | KIT3       | 1   |
| 41  | 99.3039.00 | SCREW M6x16                  |            | 4   |
| 42  | 98.2100.00 | CAP 3/8 x 13                 |            | 2   |
| 43  | 90.3833.00 | O RING Ø 13,95 x 2,62        |            | 1   |
| 44  | 66.0801.70 | PACKING RETAINER Ø 22        | KIT173     | 3   |
| 45  | 90.3616.00 | O RING Ø 34,65 x 1,78        | KIT173     | 3   |
| 46  | 90.2715.00 | LOW PRESSURE SEAL Ø22x28x6,5 | KIT172-173 | 3   |
| 47  | 66.2161.70 | INTERMEDIATE RING Ø 22       | KIT173     | 3   |
| 48  | 90.2717.00 | HIGH PRESSURE SEAL Ø22x30x10 | KIT172-173 | 3   |
| 49  | 47.2000.74 | PUMP FEET                    |            | 2   |
| 50  | 96.7106.00 | WASHER Ø 10                  |            | 4   |
| 51  | 99.3644.00 | SCREW M 10 x 18              |            | 4   |
| 52  | 90.9126.00 | BUSHING Ø22x25x30            |            | 3   |
| 53  | 90.1625.00 | OIL SEAL Ø 22x32x5,5         | KIT2       | 3   |
| 54  | 96.7380.00 | WASHER Ø 17,5x23x1,5         |            | 1   |
| 55  | 98.2268.00 | CAP ¼"x 16                   |            | 1   |
| 56  | 96.7700.00 | WASHER Ø 26,5x32x1,5         |            | 1   |
| 57  | 90.3585.00 | O RING Ø 10,82 x 1,78        |            | 3   |
| 58  | 98.2043.00 | CAP ¼" x 13                  |            | 3   |

## REPAIR KITS

| KIT NO  | KIT 2 | KIT 3 | KIT 169              |
|---------|-------|-------|----------------------|
| POS     | 53    | 40    | 4-5-6<br>7-8<br>(11) |
| NO PCS. | 3     | 3     | 6                    |

| PISTON Ø 22<br>W2030-W2035-T2040 |                   |
|----------------------------------|-------------------|
| KIT 172                          | KIT173            |
| 46-48                            | 44-45-48<br>47-48 |
| 3                                | 1                 |