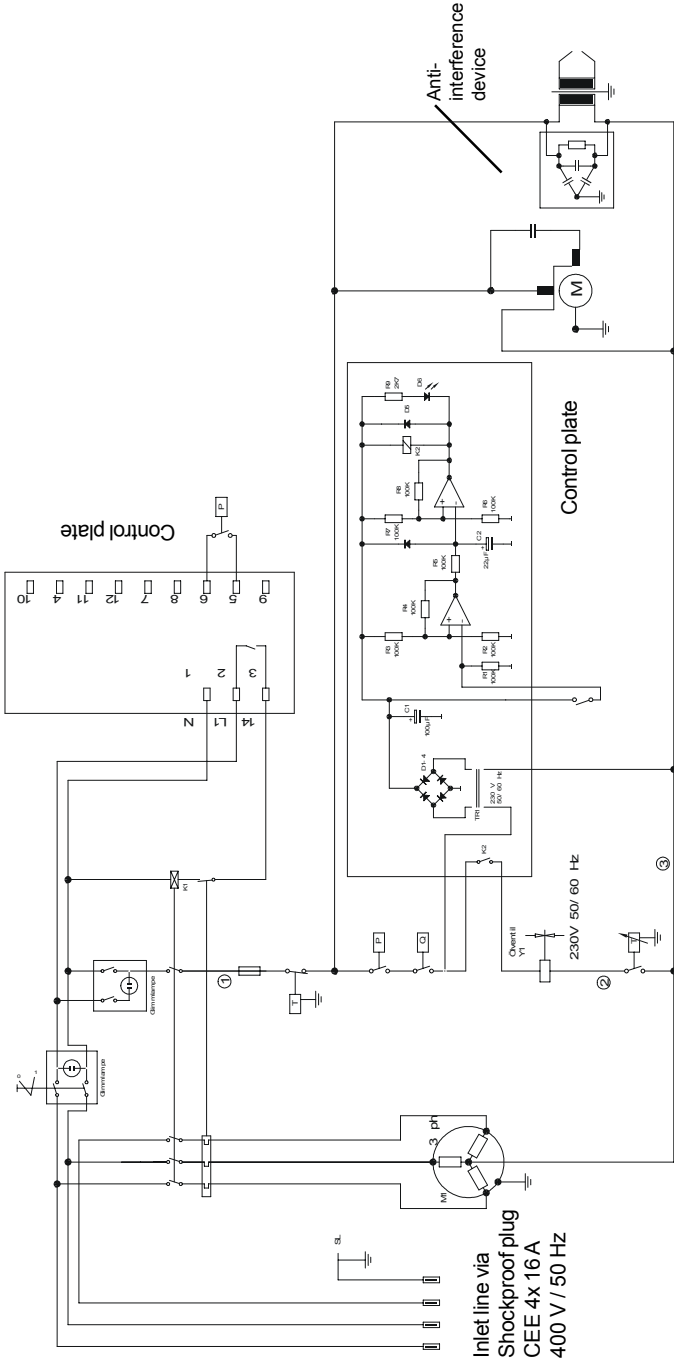


Circuit diagramme



- A1 Ignition transformer
- B1 Thermostat
- F1 Fuse 3.15 timelag
- K3 Motor contactor
- M1 3-phase AC motor, HP pump
- M2 Combustion motor
- Q1 Master switch
- 12 A overload protection!
- S1 Excess temperature trigger
- S2 Differential pressure switch
- S3 Press switch burner release
- S4 Float switch (Fuel)
- Y1 Fuel valve

Cockpit terminal plan

