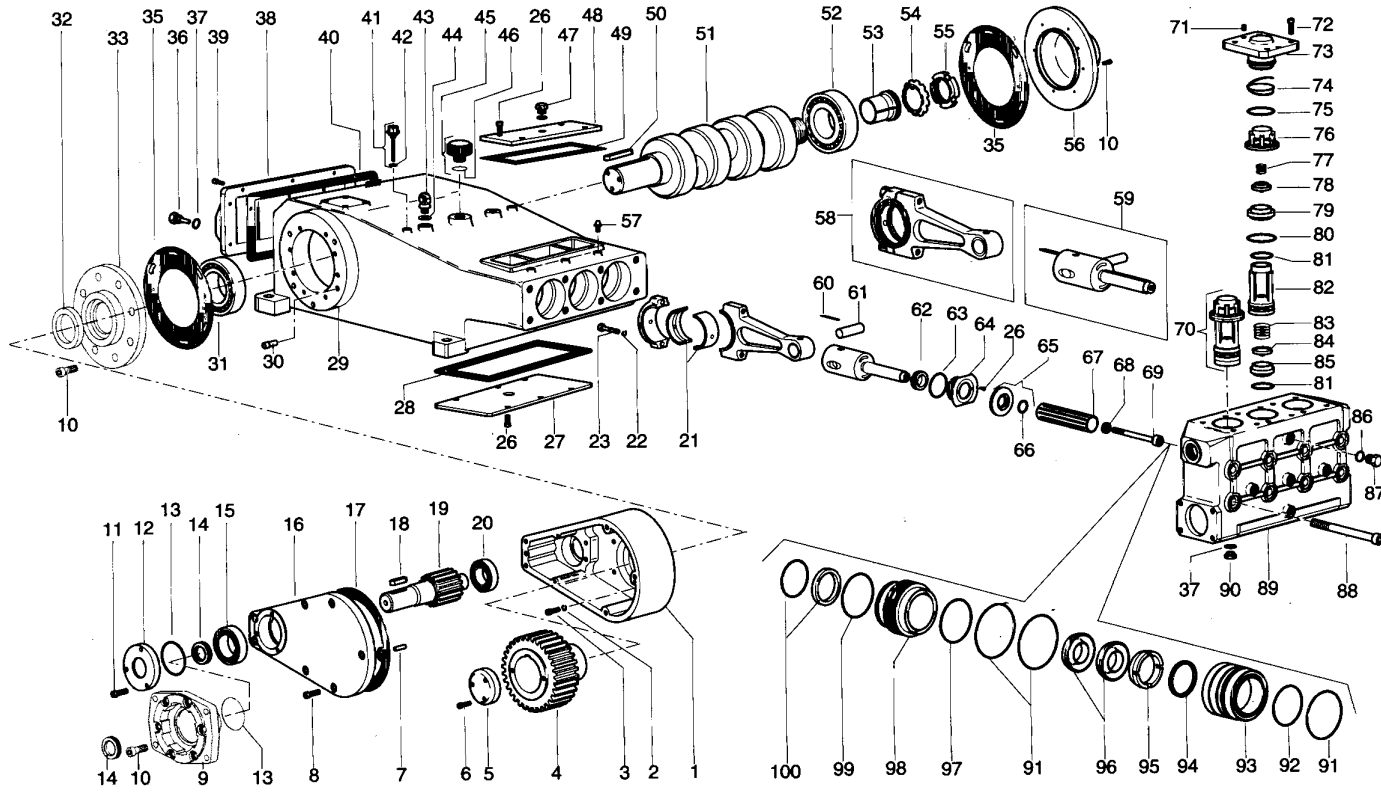


MS36-MS40-MS45-MS50-MS55



POS	VALVE CONNECT	REF	DESCRIPTION	KIT NO	QTY	FITTINGS FOR CYLINDER HEAD
1		8212-0105-7	PLUG G 1"1/4	KIT 1150	1	
2		8811-1010-4	SEALING RING Ø 1"1/4	KIT 1150-1151-1152	1	
3	PN3	8210-2001-7	NIPPLE G 1"1/4 - 1"1/2	KIT 1151	1	
	RV3	8210-2002-2	NIPPLE G 1"1/4	KIT 1152	1	
4	PN3	8811-1010-5	SEALING RING Ø 1"1/2	KIT 1152	1	
	RV3	8811-1010-4	SEALING RING Ø 1"1/4	KIT 1152	1	
5		8711-2515-4	SCREW TCEI M 10 X 30	KIT 1153	4	
6		0631-0013-0	INLET FLANGE	KIT 1153	1	
7		8810-1125-3	O-RING Ø 72 X 4	KIT 1153-1154-1155	1	
8		0321-0001-0	INLET FLANGE	KIT 1154	1	
9		0731-0007-0	INLET BARB 90	KIT 1154	1	
10		8711-2515-7	SCREW TCEI M 10 X 45	KIT 1154	4	
11		0731-0003-0	INLET BARB 90°	KIT 1155	1	
12		8711-2516-0	SCREW TCEI M 10 X 60	KIT 1155	4	
13		8810-1117-0	O RING Ø 80 X 3	KIT 1156	1	
14		0730-0002-0	INLET FITTING Ø 76	KIT 1156	1	

MS36-MS40-MS45-MS50-MS55

POS	REF	LINE	DESCRIPTION	QTY
1	0601-0024-0		GEARBOX BODY	1
2	8720-4700-5	C	WASHER DIA 10	8
3	8711-2510-8		SCREW TCEI M10X40	8
4	0520-0010-0		GEAR 1500RPM (Z55)	1
4	0520-0012-0		GEAR 1800RPM (Z58)	1
5	0300-0009-0		GEAR RETAINER	1
6	8711-2510-5		SCREW TCEI M10X25	3
7	8721-2600-4		PIN DIA12X40	2
8	8711-2511-0		SCREW TCEI M10X30	7
9	0101-0010-0		MOTOR FLANGE	1
10	8711-2515-4		SCREW TCEI M10X30	8-14-16
11	8711-2515-3		SCREW TCEI M10X25	3
12	0631-0019-0		FLANGE	1
13	8810-1013-1	C	O-RING 113,97X2,62	1
14	8810-8002-6	C	OIL SEAL 55X75X10	1
15	8111-1001-0		ROLLER BEARING 21311	1
16	0631-0015-0		COVER	1
17	0806-0014-0	C	COVER GASKET	1
18	8720-9700-9		PINION KEY	1
18	8720-9701-3		PINION KEY DIA48	1
19	0520-0011-0		PINION 1500RPM (Z27)	1
19	0520-0013-0		PINION 1800RPM (Z24)	1
19	0520-0018-0		PINION 1500RPM (Z27) DIA48	1
19	0520-0021-0		PINION 1800RPM (Z24) DIA48	1
20	8111-1000-2		ROLLER BEARING 22208	1
21	8120-0000-1		CON-ROD SHELL	3
22	8720-4600-6	C	WASHER DIA12	6
23	0350-0007-0		CON-ROD SCREW	6
26	8711-1515-2		SCREW TCEI M6X14	16
27	0400-0007-0		COVER	1
28	0806-0013-0	C	COVER GASKET	1
29	0601-0022-0		PUMP BODY GASKET	1
30	0340-0001-0		SCREW	1
31	8111-1001-6		ROLLER BEARING 21314-CC	1
32	0634-0064-0		COVER	1
33	8810-8003-2		OIL SEAL 70X90X10	1
35	0806-0011-0	C	COVER GASKET	2
36	8010-5700-2		MAGNETIC PLUG G1/2"	1
37	8720-4300-2	B-C	WASHER DIA1/2"	4
38	0634-0054-0		COVER	1
39	8711-2115-2		SCREW TCEI M8X20	6
40	0806-0010-0	C	COVER GASKET	1
41	0010-0001-0		DIPSTICK	2
42	8720-4150-1	C	WASHER DIA3/8"	2
43	8720-2600-3		EYEBOLT	2
44	0300-0003-0		EYEBOLT WASHER	2-4
45	8010-5402-7		PLUG G1"	1
46	8810-1011-6	C	O-RING 29,82X2,62	1
47	8810-5600-2		PLUG G1"	1
48	0400-0005-0		COVER	1

POS	REF	LINE	DESCRIPTION	QTY
49	0806-0012-0		GASKET	1
50	8721-0000-5		KEY	1
51	0500-0010-0		CRANKSHAFT	1
52	8111-1100-8		ROLLER BEARING 21314CCK	1
53	8819-2000-4		BEARING BUSH AH314	1
54	8720-6901-2	C	WASHER MB12	1
55	8720-2001-2		RING NUT KM12	1
56	0634-0058-0		COVER	1
57	8810-7700-3	C	GREASE NIPPLE	3
58	2500-0002-0		CON-ROD COMPLETE	3
59	2500-0106-0		PISTON COMPLETE	3
60	8721-4201-5	C	PIN 5X36	3
61	0710-0006-0		PIN DIA28	3
62	8810-8100-0	C	OIL SEAL 32X45X6,5	3
63	8810-1012-7	C	O-RING 64,77X2,62	3
64	0634-0056-0		COVER	3
65	2050-0000-0		WASHER	3
66	8810-1211-5	A-C	O-RING 26,65X2,62	3
67	0242-0034-0		PLUNGER MS36	3
67	0242-0035-0		PLUNGER MS40	3
67	0242-0109-0		PLUNGER MS45 - NEW CEREMIC	3
67	0242-0036-0		PLUNGER MS45 - OBSOLETE OLD	3
67	0242-0037-0		PLUNGER MS50	3
67	0242-0038-0		PLUNGER MS55	3
68	8720-4000-4	A-C	WASHER DIA14	3
69	8711-3551-6		SCREW TCEI M14X120 MS36-40-45	3
69	8711-3551-0		SCREW TCEI M14X80 MS50-55	3
70	2080-0504-0		VALVE UNIT	3
71	8712-4535-8		SCREW STEI-B M10X25	6
72	8711-3510-3		SCREW TCEI M14X45	12
73	0631-0011-0		VALVE COVER	3
74	8811-1200-2	B-C	SPRING	3
75	8810-1021-9	B-C	O-RING 65,09X3,53	3
76	0213-0011-0		VALVE GUIDE - DISCHARGE	3
77	0902-0009-0		VALVE SPRING - DISCHARGE	3
78	0822-0011-0		VALVE PLATE - DISCHARGE	3
79	0812-0013-0		VALVE SEAT - DISCHARGE	3
80	8810-1116-6	B-C	O-RING 66X3	3
81	8810-1115-9	B-C	O-RING 50X3	6
82	0213-0009-0		VALVE GUIDE - SUCTION	3
83	0902-0008-0		VALVE SPRING - SUCTION	3
84	0822-0010-0		VALVE PLATE - SUCTION	3
85	0812-0012-0		VALVE SEAT - SUCTION	3
86	8720-4130-0	C	WASHER DIA1/4"	5
87	8212-0105-1		PLUG G1/4"	5
88	8711-4512-0		SCREW TCEI M18X180	8
89	0641-0026-0		MANIFOLD	1
90	0840-0001-0		PLUG G1/2"	3
91	8810-1105-2	A-C	O-RING 78X2	9

POS	REF	LINE	DESCRIPTION	QTY
92	8810-1116-4	A-C	O-RING 62X3	3
93	0622-0022-0		SLEEVE MS36-40	3
93	0622-0023-0		SLEEVE MS45	3
93	0622-0024-0		SLEEVE MS50	3
93	0622-0025-0		SLEEVE MS55	3
94	0313-0002-0		SEAL RETAINER MS36-40	3
94	0313-0012-0		SEAL RETAINER MS45	3
94	0313-0005-0		SEAL RETAINER MS50	3
94	0313-0006-0		SEAL RETAINER MS55	3
95	0312-0009-0		BACKING RING MS36	3
95	0312-0010-0		BACKING RING MS40	3
95	0312-0011-0		BACKING RING MS45	3
95	0312-0021-0		BACKING RING MS50	3
95	0312-0022-0		BACKING RING MS55	3
96	8810-2001-0	A-C	PRESSURE SEAL MS36	6
96	8810-2001-1	A-C	PRESSURE SEAL MS40	6
96	8810-2001-2	A-C	PRESSURE SEAL MS45	6
96	8810-2001-4	A-C	PRESSURE SEAL MS50	6
96	8810-2001-5	A-C	PRESSURE SEAL MS55	6
97	8810-1116-1	A-C	O-RING 56X3 MS36-40	3
97	8810-1116-3	A-C	O-RING 59,5X3 MS45	3
97	8810-1116-5	A-C	O-RING 65X3 MS50	3
97	8810-1116-7	A-C	O-RING 69,5X3 MS55	3
98	0223-0034-0		SEAL RETAINER MS36	3
98	0223-0035-0		SEAL RETAINER MS40	3
98	0223-0036-0		SEAL RETAINER MS45	3
98	0223-0037-0		SEAL RETAINER MS50	3
98	0223-0038-0		SEAL RETAINER MS55	3
99	8810-1012-7	A-C	O-RING 64,77X2,62 MS36-40-45-50	3
99	8810-1001-4	A-C	O-RING 66,40X1,78 MS55	3
100	8810-6101-4	A-C	SCRAPER MS36	3
100	8810-6101-5	A-C	SCRAPER MS40	3
100	8810-6101-7	A-C	SCRAPER MS45	3
100	8810-6101-8	A-C	SCRAPER MS50	3
100	8810-6101-9	A-C	SCRAPER MS55	3

POSITIONS INCLUDED		MS36	MS40	MS45	MS50	MS55
A	66-68-91-92-96-97-99-100	KIT 1134	KIT 1135	KIT 1136	KIT 1137	KIT 1138
B	37-74-75-80-81	KIT 1139				
C	2-13-14-17-22-28-35-37-40-42 46-49-54-57-60-62-63-66-68 74-75-80-81-86-91-92-96-97 99-100	KIT 1140	KIT 1141	KIT 1142	KIT 1143	KIT 1144