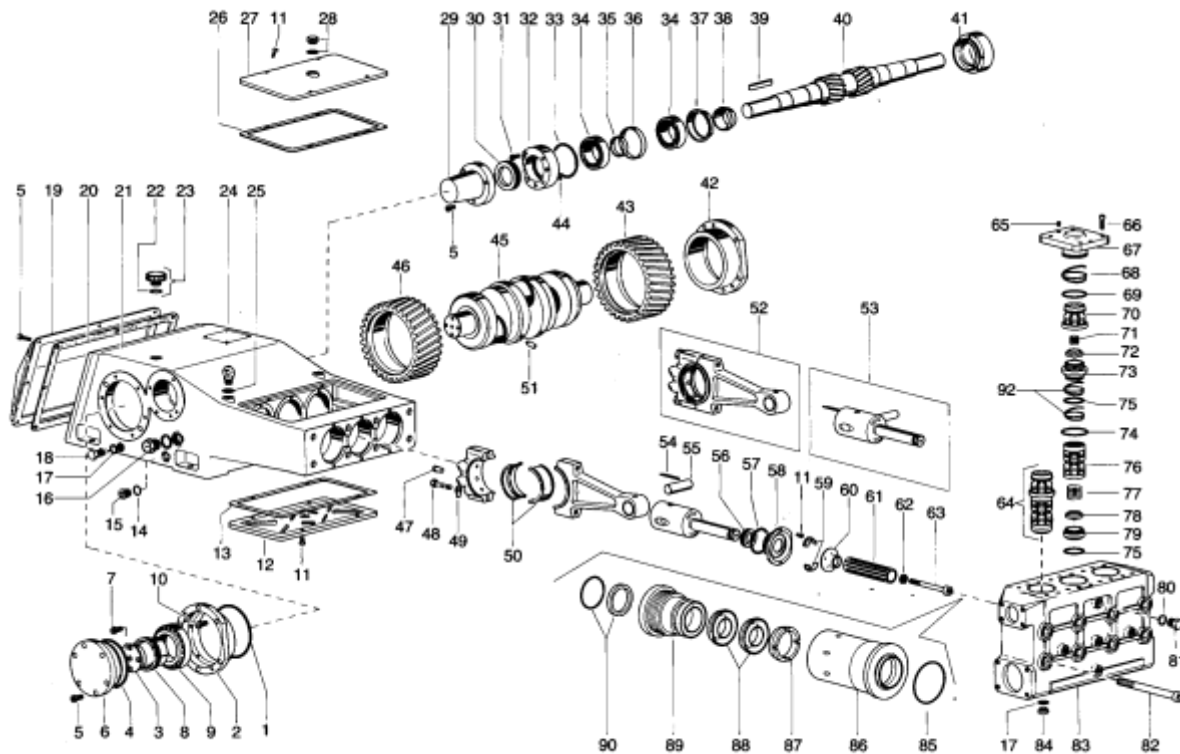


LH40-LH45-LH50-LH55-LH60



POS	VALVE CONNECT	REF	DESCRIPTION	KIT NO	QTY	FITTINGS FOR CYLINDER HEAD
1		8811-1010-4	ALUMINIUM WASHER Ø 1"1/4	KIT 1151-1152	1	
2	PN3	8811-1010-5	ALUMINIUM WASHER Ø 1"1/2	KIT 1151	1	
	RV3	8811-1010-4	ALUMINIUM WASHER Ø 1"1/4	KIT 1152	1	
3	PN3	8210-2001-7	NIPPLE G 1"1/4 - 1"1/2	KIT 1151	1	
	RV3	8210-2002-2	NIPPLE G 1"1/4	KIT 1152	1	
4		8711-3110-9	SCREW TCEI M12x60	KIT 1214	4	
5		0730-0000-0	INLET FLANGE FITTING	KIT 1214	1	
6		8810-1125-0	O-RING Ø 42x4	KIT 1214-1214	1	
7		8212-0105-1	PLUG G 1/2"	KIT 1013	1	
8		8811-1010-0	SEALING RING Ø 1/2"	KIT 1013	1	
11		0630-0000-0	OUTLET FLANGE COVER	KIT 1215	1	
12		8711-3110-4	SCREW TCEI M12x35	KIT 1215	4	
13		8711-2510-6	SCREW TCEI M10x30	KIT 1201	4	
14		0631-0001-0	INLET FLANGE COVER	KIT 1201	1	
15		8810-1125-4	O-RING Ø 85x4	KIT 1201-1202	1	
16		0731-0001-0	INLET FLANGE	KIT 1202	1	
17		8711-2511-2	SCREW TCEI M10x60	KIT 1202	4	
18		8810-1117-1	O-RING Ø 90x3	KIT 1203	1	
19		0730-0001-0	INLET BARB FITTING 90°	KIT 1203	1	

LH40-LH45-LH50-LH55-LH60

POS	REF	LINE	DESCRIPTION	QTY	POS	REF	LINE	DESCRIPTION	QTY	POS	REF	LINE	DESCRIPTION	QTY
1	8810-1013-3	C	O-RING 183,82X2,62	2	46	0520-0004-0		GEAR 1750RPM (Z60)	1	86	0622-0012-0		SLEEVE LH55	3
2	0101-0007-0		FLANGE	1	46	0520-0015-0		GEAR 1900RPM (Z61)	1	86	0622-0013-0		SLEEVE LH60	3
3	0300-0001-0		GEAR RETAINER	2	47	0340-0000-0		CON-ROD PIN	3	87	0312-0010-0		BACKING RING LH40	3
4	8810-1013-2	C	O-RING 152,07X2,62	2	48	0350-0007-0		CON-ROD SCREW	3	87	0312-0011-0		BACKING RING LH45	3
5	8711-2115-2		SCREW TCEI M8X20	23	49	8720-6700-6	C	WASHER DIA12	6	87	0312-0021-0		BACKING RING LH50	3
6	0634-0028-0		COVER	2	50	0233-0000-0		CON-ROD SHELL	3	87	0312-0022-0		BACKING RING LH55	3
7	8711-3110-2		SCREW TCEI M12X25	8	51	0020-0000-0		PIN	2	87	0312-0023-0		BACKING RING LH60	3
8	0300-0002-0		BUSH	2	52	2500-0003-0		CON-ROD COMPLETE	3	88	8810-2001-1	A-C	PRESSURE SEAL LH40	6
9	8111-1101-7		ROLLER BEARING 22218 CCK	2	53	2500-0107-0		PISTON COMPLETE	3	88	8810-2001-2	A-C	PRESSURE SEAL LH45	6
10	8711-2515-4		SCREW TCEI M10X30	12	54	8721-4201-5	C	PIN 5 x 36	3	88	8810-2001-4	A-C	PRESSURE SEAL LH50	6
11	8711-1515-2		SCREW TCEI M6X14	14	55	0710-0005-0		PIN 35	3	88	8810-2001-5	A-C	PRESSURE SEAL LH55	6
12	0404-0005-0		COVER	1	56	8810-8100-1	C	OIL SEAL 35x47x8,5	3	88	8810-2001-6	A-C	PRESSURE SEAL LH60	6
13	0806-0003-0	C	COVER GASKET	1	57	8810-1012-8	C	O-RING 72,69X2,62	3	89	0223-0021-0		SEAL RETAINER LH40	3
14	8720-4300-8		WASHER DIA1"	2	58	0634-0042-0		COVER	3	89	0223-0022-0		SEAL RETAINER LH45	3
15	8212-0300-6		TAP G1"	2	59	0300-0007-0		BUSH	3	89	0223-0023-0		SEAL RETAINER LH50	3
16	8010-5301-2		OIL SIGHT GLASS	2	60	0412-0001-0		WASHER	3	89	0223-0024-0		SEAL RETAINER LH55	3
17	8720-4300-2	B-C	WASHER 1/2"	5	61	0242-0025-0		PLUNGER LH40	3	89	0223-0025-0		SEAL RETAINER LH60	3
18	8010-5700-2		TAP G1/2"	2	61	0242-0026-0		PLUNGER LH45	3	90	8810-6101.5	A-C	SCRAPER LH40	3
19	0634-0024-0		COVER	1	61	0242-0027-0		PLUNGER LH50	3	90	8810-6101-7	A-C	SCRAPER LH45	3
20	0806-0001-0	C	GASKET	1	61	0242-0028-0		PLUNGER LH55	3	90	8810-6101-8	A-C	SCRAPER LH50	3
21	0601-0016-0		PUMP BODY	1	61	0242-0029-0		PLUNGER LH60	3	90	8810-6101-9	A-C	SCRAPER LH55	3
22	8810-1011-6	C	O-RING 29,82X2,62	1	62	8720-4000-4	A-C	WASHER DIA14	3	90	8810-6102-1	A-C	SCRAPER LH60	3
23	8010-5402-7		TAP G1"	1	63	8711-3552-0		SCREW TCEI M14X160 LH40-45	3	92	8811-1201-1	B-C	SPRING	6
24	8720-2600-3		EYEBOLT M16	2	63	8711-3551-4		SCREW TCEI M14X100 LH50-55-60	3					
25	0300-0003-0		EYEBOLT WASHER	2-4	64	2080-0523-0		COVER VALVE	3					
26	0806-0002-0	C	GASKET COVER	1	65	8712-4535-6		COVER VALVE G1/4"	6					
27	0404-0003-0		COVER	1	66	8711-3510-2		SCREW TCEI M14X40	12					
28	8010-5600-2		TAP G1/2"	1	67	0632-0003-0		VALVE COVER	2					
29	0404-0007-0		COVER	1	67	0632-0004-0		VALVE COVER G1/4"	1					
30	8810-8002-6	C	OIL SEAL 55X75X10	2	68	8811-1200-3	B-C	ANTI-EXTRUSION RING	3					
31	8711-2115-4		SCREW TCEI M8X30	8	69	8810-1125-2	B-C	O-RING 70X4	3					
32	0634-0030-0		COVER	1	70	0212-0009-0		VALVE GUIDE - DELIVERY	3					
33	8810-1013-0	C	O-RING 94,92X2,62	2	71	0902-0005-0		VALVE SPRING - DELIVERY	3					
34	8810-0101-9		ROLLER BEARING NJ2211	4	72	0822-0006-0		VALVE PLATE - DELIVERY	3					
35	0310-0002-0		BEARING DISC	2	73	0812-0071-0		VALVE SEAT - DELIVERY	3					
36	0310-0001-0		BEARING DISC	2	74	8810-1116-8		O-RING 72X3	3					
37	0610-0000-0		BUSH	2	75	8810-1116-1		O-RING 56X3	6					
38	0314-0000-0		LUBRICATING CONE	2	76	0212-0007-0		VALVE GUIDE - SUCTION	3					
39	8720-9701-3		PINION KEY	1	77	0902-0004-0		VALVE SPRING - SUCTION	3					
40	0520-0002-0		PINION 1500RPM (Z20)	1	78	0822-0005-0		VALVE PLATE - SUCTION	3					
40	0520-0005-0		PINION 1750RPM (Z19)	1	79	0812-0006-0		VALVE SEAT - SUCTION	3					
40	0520-0016-0		PINION 1900RPM (Z18)	1	80	8720-4130-0	C	WASHER DIA1/4"	5					
41	0634-0031-0		BEARING COVER	1	81	8212-0105-1		TAP G1/4"	5					
42	0101-0008-0		BEARING BUSH	1	82	8711-5111-8		SCREW TCEI M20X160	8					
43	0520-0000-0		GEAR 1500RPM (Z59)	1	83	0641-0020-0		MANIFOLD	1					
43	0520-0003-0		GEAR 1750RPM (Z60)	1	84	0840-0001-0		TAP G1/2"	3					
43	0520-0014-0		GEAR 1900RPM (Z61)	1	85	8810-1125-3	A-C	O-RING 72X4	3					
44	8810-1000-3	C	O-RING 8,73X1,78	2	86	0622-0009-0		SLEEVE LH40	3					
45	0500-0006-0		CRANKSHAFT	1	86	0622-0010-0		SLEEVE LH45	3					
46	0520-0001-0		GEAR 1500RPM (Z59)	1	86	0622-0011-0		SLEEVE LH50	3					

	POSITION INCLUDED	LH40	LH45	LH50	LH55	LH60
A	62-85-88-90	KIT 1204	KIT 1205	KIT 1206	KIT 1207	KIT 1208
B	17-68-69-74-75-92	KIT 1195				
C	1-4-13-17-20-22-26-30-33-44-49-54-56-57-62-68-69-74-75-80-85-88-90-92	KIT 1209	KIT 1210	KIT 1211	KIT 1212	KIT 1213